

DATASHEET

PAN STAND WITH BASE PLATE



The **Pan Stand with Base Plate** has been developed to accommodate the **Pan Beam and Pan Speaker loudspeaker systems** of the P/PB 04 / 07 / 08 / 15 / 16 / 30 models. The stand has the same design as the loudspeaker. They form a single visual entity and thus create a successful symbiosis between architecture and sound.

For optimum positioning, the stand has four adjustable rubber feet. For horizontal positioning of the loudspeaker, the pillar module can be adjusted in 15-degree increments.

The connection cables of the loudspeaker can be routed through the cable duct on the back. The cable duct also covers the connector panel of the loudspeaker, which prevents direct access to it.

The base plate is made of solid steel and ensures a high degree of stability thanks to its high weight. This makes the stand ideally suited for mobile applications or locations where the loudspeaker cannot be mounted on the wall or ceiling.

The perforated grille of the stand consists of two parts. The lower part can be easily changed.

The stand and the loudspeaker are connected by bolted connection elements which are inserted in the slots in the pillar and in the loudspeaker.

All **Pan Acoustics** loudspeakers and the corresponding accessories are designed, developed and manufactured in Germany by Pan Acoustics according to strict criteria and with high-quality materials.

EQUIPMENT / OPTIONS



See the next page for explanation of the symbols.

APPLICATIONS

Churches, museums, live PA, train stations, airports, sports facilities, legislative buildings, conference rooms, lecture halls, shopping centres, A/V presentation rooms

PAN STAND WITH BASE PLATE

MECHANICAL PROPERTIES

Enclosure:	Aluminium profile
Grille:	Powder-coated perforated metal sheet
Standard colours:	RAL 9006 (aluminium), anodized RAL 9010 (white), silk matt RAL 9005 (black), silk matt
Dimensions (H x W x D):	
Base plate	600 x 300 x 20 [mm]
Pillar	1136 x 107.2 x 117.9 [mm]
Weight:	33 kg (including base plate, excluding loudspeaker)

EQUIPMENT / OPTIONS AT GLANCE – ACCESSORIES



Customised painting/colouring
within the RAL colour range. Other colour systems such as RAL design, Pantone, etc. are available on request.



Made-to-measure enclosure
The enclosure dimensions of the Pan Speaker series can be customised.



Looks good, sounds good.
Pan Acoustics' products are defined by natural sound and attractive design.

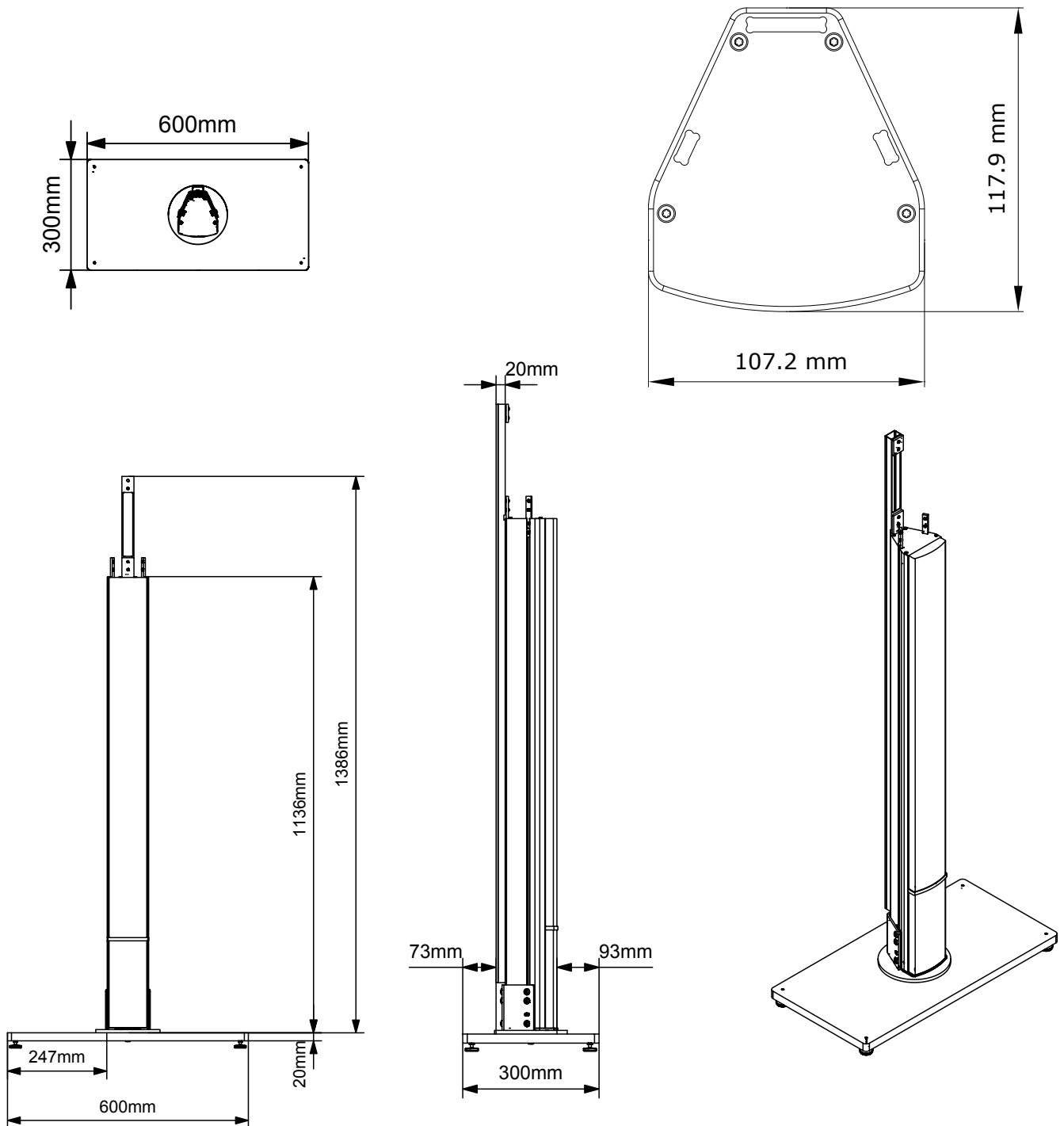
Some equipment features cannot be combined. For information about which features can be combined with each other, please send an e-mail to sales@pan-acoustics.de.

Our quality promise

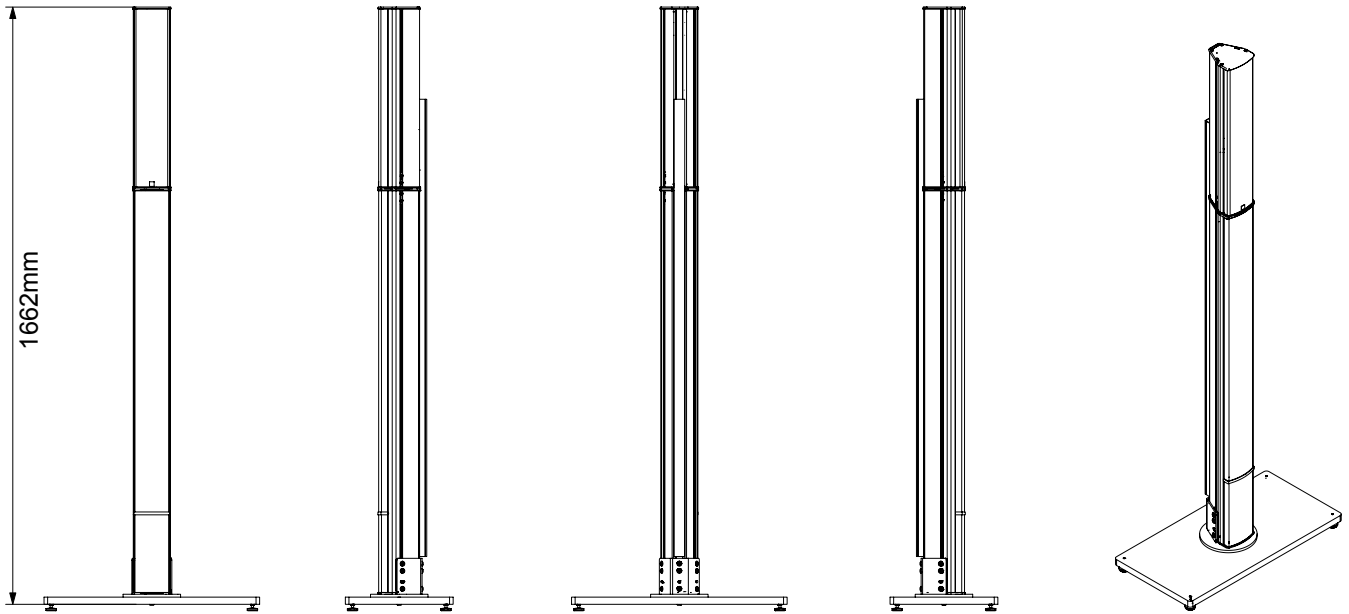
Pan Acoustics stands by its products and gives up to **10 years warranty** on its loudspeakers for any material or manufacturing defects. New products manufactured in accordance with protection classes IP54 and IP65 as well as digital audio interfaces (Dante®) from Audinate Pty Ltd and rechargeable batteries are excluded from the 10-year warranty. A warranty period of 3 years is granted for loudspeakers in accordance with protection classes IP54 and IP65.



TECHNICAL DRAWING



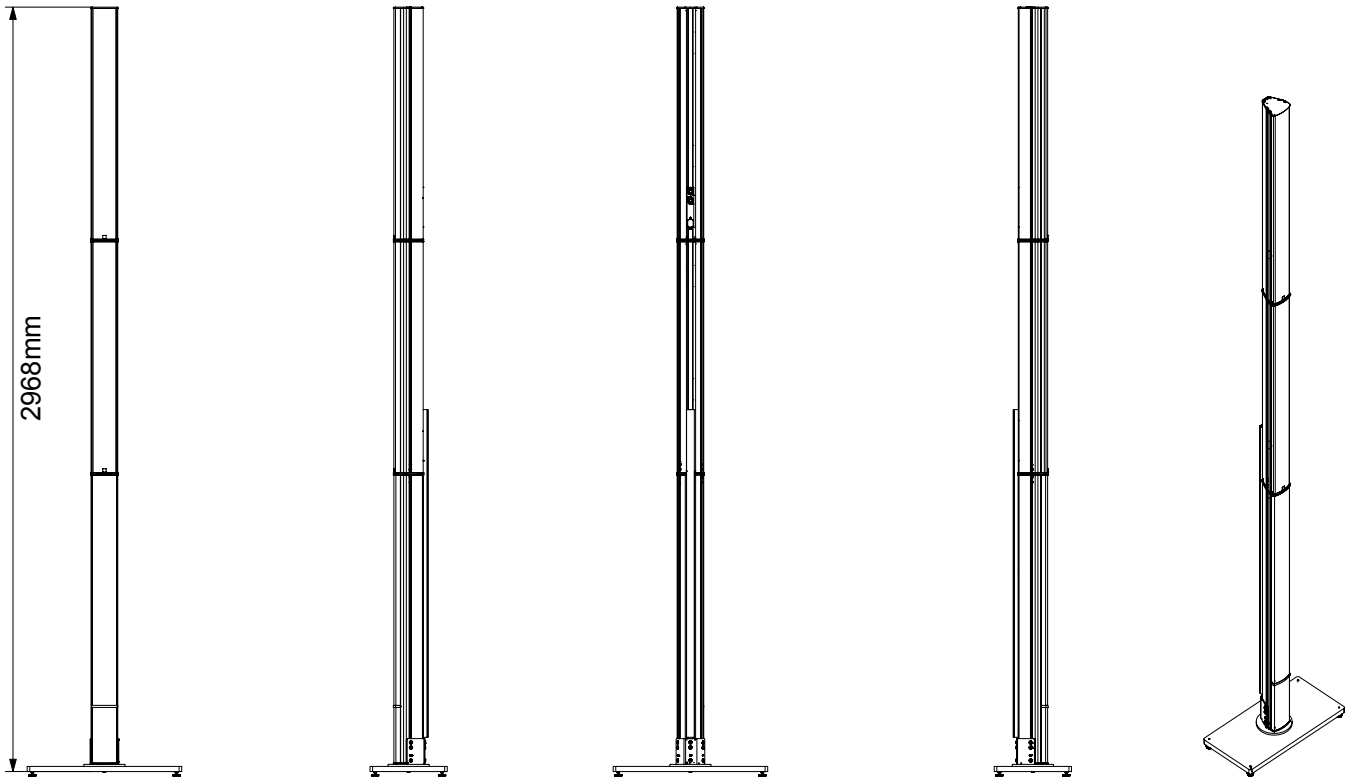
Dimensions including P/PB 04 / 07 version



Dimensions including P/PB 08 / 15 version



Dimensions including P/PB 16 / 30 version



Dimensions including P/PB 16 / 30 (dG) version

