



DATASHEET

## PAN SUBWOOFER P SW-208



The **Pan Subwoofer P SW-208** is a powerful subwoofer in a high-quality birch plywood enclosure with textured coating. In addition to the passive variant, an active version is also available.

The **P SW-208** features an attractive design as well as a pure, precise and deep bass reproduction. The **P SW-208** can be operated individually or in various cardioid configurations.

A powerful DSP power amplifier is required to operate the **P SW-208**.

The **P S-208** is equipped with two 8" low-frequency drivers. On the top, it is possible to attach a distance bar by means of a screw thread insert. The enclosure is designed as a bandpass and is available in all RAL colours. The standard colour is black with textured coating.

### EQUIPMENT / OPTIONS



See last page for explanation of the symbols.

### APPLICATIONS

Churches, museums, live PA, airports, train stations, sports facilities, legislative buildings, conference rooms, lecture halls, shopping centres, A/V presentation rooms

### FEATURES

Pure and deep bass reproduction, slim and unobtrusive design.

### ACCESSORIES

For the **Pan Subwoofer** series, there is a wide range of accessories for fixed installation and mobile use.

All **Pan Subwoofer** loudspeakers are designed, developed and manufactured in Germany by Pan Acoustics from high quality materials and according to strict criteria.



## TECHNICAL DATA P SW-208 (PASSIVE)

### ACOUSTIC PROPERTIES

<b>Configuration:</b>	Bandpass
<b>Lower cut-off frequency:</b>	42 Hz
<b>Equipment:</b>	2 x 8" HQ
<b>Rated power:</b>	800 W (peak) / 500 W (programme)
<b>Recommended amplifier:</b>	DSP power amplifier
<b>Sensitivity:</b>	94 dB 1 W / 1 m
<b>Maximum SPL:</b>	128 dB* (peak) @ 1 m
<b>Impedance:</b>	8 ohms
<b>Connections:</b>	2 x NL4 (assignment: 1+/1-)
<b>Operating temperature:</b>	-10 °C to +50 °C (ambient temperature)

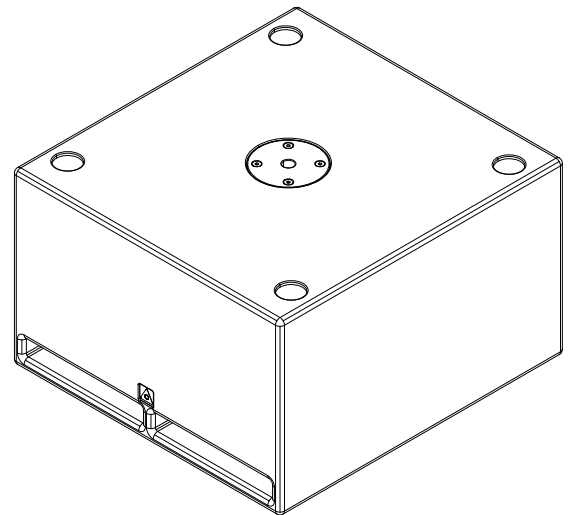
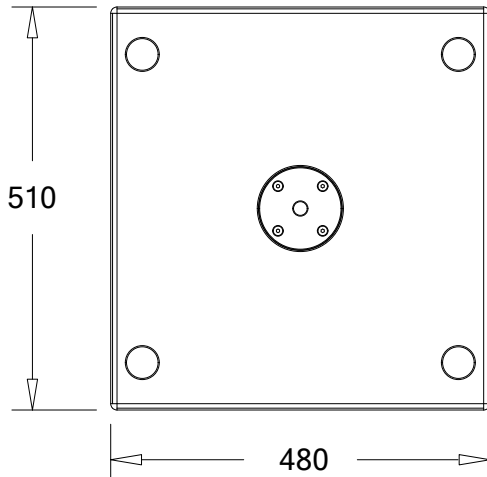
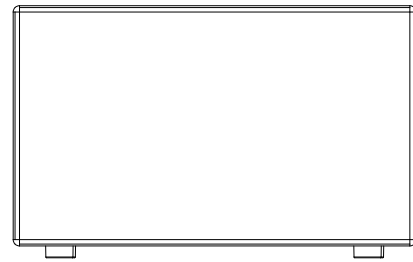
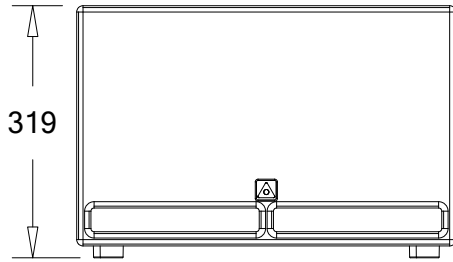
### MECHANICAL PROPERTIES

<b>Enclosure:</b>	15 mm birch plywood
<b>Colour:</b>	RAL 9005 (black), textured coating RAL 9010 (white), textured coating
<b>Dimensions (H x W x D):</b>	319 x 480 x 510 [mm]
<b>Weight:</b>	15 kg

\*Under anechoic half-space conditions with DSP settings.  
Lower cut-off frequency: -10 dB under anechoic halfspace-conditions.



### TECHNICAL DRAWING P SW-208 (PASSIVE)



P SW-208 (passive)

Doc. No.: 2021\_01321



All products are designed, developed and manufactured by Pan Acoustics in Germany.  
Pan Acoustics reserves the right to modify products without prior notice.

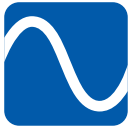
[www.pan-acoustics.de](http://www.pan-acoustics.de)



## EQUIPMENT / OPTIONS AT A GLANCE – PAN SUBWOOFER SERIES



**Customised painting/colouring** within the RAL colour range. Other colour systems such as RAL design, Pantone, etc. are available on request.



**Analogue audio inputs** with balanced signal routing.



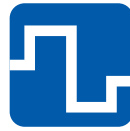
**Digital Dante audio network** including AES67 support. Redundant network structure with Pan Net control.



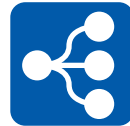
**Pilot tone evaluation** for integration in SAA/ENS systems.



**General Purpose Output (GPO)** Switchable contact, e.g. for status request via downstream media control.



**Digital audio inputs** support 2 x AES/EBU (AES3).



**Pan Net** Pan Acoustics' own control and monitoring protocol.



**Priority switching** Automatic switching of the audio inputs, e.g. between programme and announcement.



**Accessories** such as wall, tripod and ceiling mounts, different interfaces, connection cables, weather protection hoods and connection sets are available.



**Looks good, sounds good.** Pan Acoustics' products are defined by natural sound and attractive design.

Some equipment features cannot be combined. For information about which features can be combined with each other, please send an e-mail to [sales@pan-acoustics.de](mailto:sales@pan-acoustics.de).

## Our quality promise

**Pan Acoustics** stands by its products and gives up to **10 years warranty** on its loudspeakers for any material or manufacturing defects. New products manufactured in accordance with protection classes IP54 and IP65 as well as digital audio interfaces (Dante®) from Audinate Pty Ltd and rechargeable batteries are excluded from the 10-year warranty. A warranty period of 3 years is granted for loudspeakers in accordance with protection classes IP54 and IP65.

