



DATASHEET

## PAN SPEAKER P 8-15-PI – PASSIVE LINE ARRAY



The **Pan Speaker P 8-15-Pi** is a passive line array in an attractive compact column design for speech applications. It is characterised by precise and natural reproduction.

The loudspeaker contains 16 x 2.1" HQ drivers in a linear arrangement. The enclosure is made of aluminium and can be custom-finished in any colour. The chassis are protected from external impact by a perforated metal sheet that is integrated into the design.

At the back of the **P 8-15-Pi** there is a 5-pin connector. The IP version has a corresponding connection cable instead of the 5-pin connector. The optional mounting accessories (wall, ceiling and tripod mounts) can be installed by inserting a slot nut in the lateral slots and the rear slot.

The **P 8-15-Pi** can be operated individually or in combination with subwoofers from the Pan Subwoofer series.

Illustration in colour option, see mechanical properties

### EQUIPMENT / OPTIONS



See last page for explanation of the symbols.

### APPLICATIONS

Churches, museums, live PA, train stations, airports, sports facilities, legislative buildings, conference rooms, lecture halls, shopping centres, A/V presentation rooms

### FEATURES

High efficiency, integrated protection circuit, high reproduction quality even in acoustically challenging environments, sleek, unobtrusive design.

### MOUNTING ACCESSORIES

For the **Pan Speaker** series, there is a wide range of mounting accessories for fixed installation and mobile use.

All **Pan Speaker** loudspeakers are designed, developed and manufactured in Germany by Pan Acoustics from high quality materials and according to strict criteria.



## TECHNICAL DATA PAN SPEAKER P 8-15-PI

### ACOUSTIC PROPERTIES

<b>Configuration:</b>	Passive line array
<b>Frequency range:</b>	130 Hz - 20 kHz
<b>Equipment:</b>	16 x 2.1"
<b>Rated power:</b>	300 W (peak <sub>20 ms</sub> ) / 200 W (programme) / 100 W (nominal)
<b>Recommended amplifier:</b>	DSP power amplifier
<b>Sensitivity:</b>	89 dB 1 W/1 m
<b>Maximum SPL:</b>	126 dB* (peak) @ 1 m
<b>Impedance:</b>	8 ohms
<b>Horizontal radiation pattern:</b>	120° (< 10 kHz)
<b>Vertical radiation pattern:</b>	20°
<b>Connections:</b>	Phoenix, 5-pin (in/out)
<b>Operating temperature:</b>	-10 °C to +50 °C (ambient temperature)

### MECHANICAL PROPERTIES

<b>Enclosure:</b>	Aluminium profile
<b>Grille:</b>	Powder-coated perforated metal sheet
<b>Standard colours (with silver lids): (optional: lid in enclosure colour)</b>	RAL 9006 (aluminium), anodized RAL 9010 (white), silk matt RAL 9005 (black), silk matt
<b>Dimensions (H x W x D):</b>	906 x 107 x 118 [mm]
<b>Weight:</b>	4.9 kg
<b>Mounting option:</b>	Other mounting accessories available.

\*Under anechoic half-space conditions with DSP settings.  
Frequency range: -10 dB under anechoic halfspace-conditions.



## TECHNICAL DATA PAN SPEAKER P 8-15-PI | 100 V

### ACOUSTIC PROPERTIES

<b>Configuration:</b>	Passive line array
<b>Frequency range:</b>	130 Hz - 20 kHz
<b>Equipment:</b>	16 x 2.1"
<b>Rated power:</b>	80 W / 40 W / 20 W / 10 W
<b>Recommended amplifier:</b>	DSP power amplifier
<b>Sensitivity:</b>	89 dB 1 W/1 m
<b>Maximum SPL:</b>	114 dB* (peak) @ 1 m
<b>Horizontal radiation pattern:</b>	120° (< 10 kHz)
<b>Vertical radiation pattern:</b>	20°
<b>Connections:</b>	1 x Phoenix, 5-pin, for power tapping (100% / 50% / 25% / 12.5%)
<b>Operating temperature:</b>	-10 °C to +50 °C (ambient temperature)

### MECHANICAL PROPERTIES

<b>Enclosure:</b>	Aluminium profile
<b>Grille:</b>	Powder-coated perforated metal sheet
<b>Standard colours (with silver lids): (optional: lid in enclosure colour)</b>	RAL 9006 (aluminium), anodized RAL 9010 (white), silk matt RAL 9005 (black), silk matt
<b>Dimensions (H x W x D):</b>	906 x 107 x 118 [mm]
<b>Weight:</b>	5 kg
<b>Mounting option:</b>	Other mounting accessories available.

\*Under anechoic half-space conditions with DSP settings.  
Frequency range: -10 dB under anechoic halfspace-conditions.



## TECHNICAL DATA PAN SPEAKER P 8-15-R

### ACOUSTIC PROPERTIES

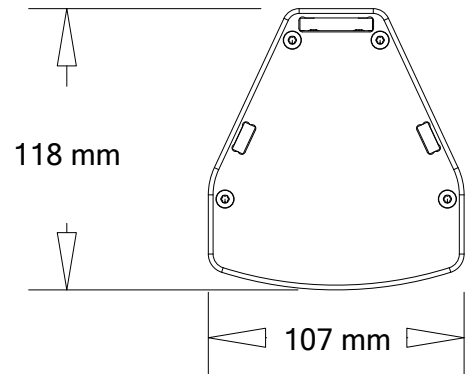
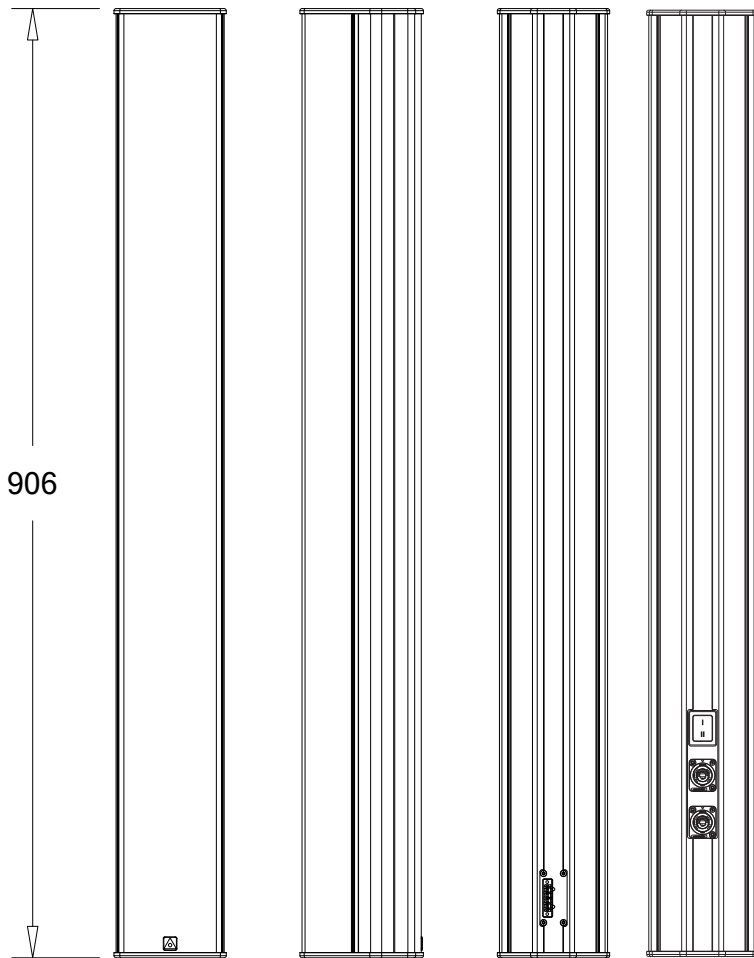
<b>Configuration:</b>	Passive line array
<b>Frequency range:</b>	130 Hz - 20 kHz
<b>Equipment:</b>	16 x 2.1"
<b>Rated power:</b>	300 W (peak <sub>20 ms</sub> ) / 200 W (programme) / 100 W (nominal)
<b>Recommended amplifier:</b>	DSP power amplifier
<b>Sensitivity:</b>	89 dB 1 W/1 m
<b>Maximum SPL:</b>	126 dB* (peak) @ 1 m
<b>Impedance:</b>	8 ohms
<b>Horizontal radiation pattern:</b>	120° (< 10 kHz)
<b>Vertical radiation pattern:</b>	20°
<b>Connections:</b>	2 x NL4 speakON + selector switch (1+/-   2+/-)
<b>Operating temperature:</b>	-10 °C to +50 °C (ambient temperature)

### MECHANICAL PROPERTIES

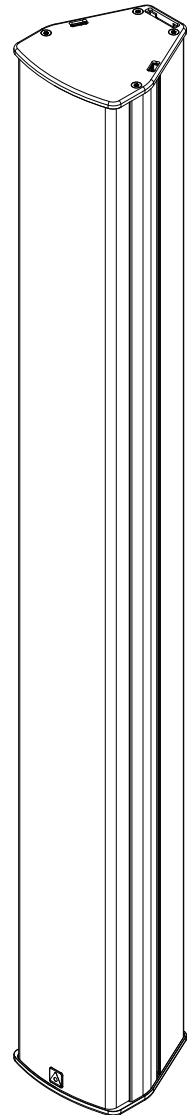
<b>Enclosure:</b>	Aluminium profile
<b>Grille:</b>	Powder-coated perforated metal sheet
<b>Standard colours (lid in enclosure colour)</b>	RAL 9005 (black), silk matt
<b>Dimensions (H x W x D):</b>	906 x 107 x 118 [mm]
<b>Weight:</b>	5 kg
<b>Mounting option:</b>	Other mounting accessories available.

\*Under anechoic half-space conditions with DSP settings.  
Frequency range: -10 dB under anechoic halfspace-conditions.

TECHNICAL DRAWING P 8-15-PI // P 8-15-PI | 100 V // P 8-15-R



P 8-15-Pi      P 8-15-R  
P 8-15-Pi | 100V



## EQUIPMENT / OPTIONS AT GLANCE – PAN SPEAKER SERIES



**Customised painting/colouring** within the RAL colour range. Other colour systems such as RAL design, Pantone, etc. are available on request.



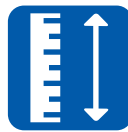
**100 V audio inputs** with selectable power taps.



**Weatherproofing** of the loudspeakers in accordance with protection classes IP54 or IP65 (depending on the model) is possible.



**Looks good, sounds good.** Pan Acoustics' products are defined by natural sound and attractive design.



**Made-to-measure enclosure**  
The enclosure dimensions of the Pan Speaker series can be customised.



**Accessories** such as wall, tripod and ceiling mounts, different interfaces, connection cables, weather protection hoods and connection sets are available.



**Ball impact resistance**

Some equipment features cannot be combined. For information about which features can be combined with each other, please send an e-mail to [sales@pan-acoustics.de](mailto:sales@pan-acoustics.de).

## Our quality promise

**Pan Acoustics** stands by its products and gives up to **10 years warranty** on its loudspeakers for any material or manufacturing defects. New products manufactured in accordance with protection classes IP54 and IP65 as well as digital audio interfaces (Dante®) from Audinate Pty Ltd and rechargeable batteries are excluded from the 10-year warranty. A warranty period of 3 years is granted for loudspeakers in accordance with protection classes IP54 and IP65.

