

DATASHEET

PAN EVAC P 08-EN54 – PASSIVE LINE ARRAY



The **Pan EVAC P 08-EN54** is a passive line array in an attractive compact column design for speech and music applications in EN 54 systems. It is characterised by precise and natural reproduction.

The loudspeaker contains eight 3.5" HQ drivers. The enclosure is made of aluminium and can be custom-finished in any colour.

The chassis are protected from external impact by a perforated metal sheet that is integrated into the design. At the back of the **Pan EVAC P 08-EN54** there are two cable gland connectors. The mount supplied is installed in the slot on the back.

Illustration in colour option, see mechanical properties

EQUIPMENT / OPTIONS

FEATURES:

High efficiency, 100 V connection, selectable power tap: 125 W, 62 W, 32 W, 15 W, switchable high-pass filter (HPF), integrated protection circuit, high reproduction quality even in acoustically demanding environments, slim, unobtrusive design

APPLICATIONS

Churches, museums, live PA, train stations, airports, sports facilities, legislative buildings, conference rooms, lecture halls, shopping centres, A/V presentation rooms

All **Pan EVAC** loudspeakers are designed, developed and manufactured in Germany by Pan Acoustics from high quality materials and according to strict criteria.

Doc. no.: 01683.V1 - 12-2022 [translation based on German version]



All products are designed, developed and manufactured by Pan Acoustics in Germany. Pan Acoustics reserves the right to modify products without prior notice.

www.pan-acoustics.de

TECHNICAL DATA PAN EVAC P 08-EN54

ACOUSTIC PROPERTIES

Configuration:	Passive line array
Drivers:	8 x 3.5"
Rated power:	125 W / 62 W / 32 W / 15 W (switchable)
Recommended amplifier:	Sufficiently dimensioned DSP power amplifier
Maximum SPL 100 V*:	99 dB _{SPL} @ 4 m
Sensitivity (1 W/4 m)*:	80 dB _{SPL}
Frequency range:	140 Hz – 15 kHz (-10 dB, +6 dB, HPF off)
Horizontal radiation pattern*:	@ 500 Hz: 360° @ 1000 Hz: 215° @ 2000 Hz: 147° @ 4000 Hz: 100°
Vertical radiation pattern*:	@ 500 Hz: 66° @ 1000 Hz: 33° @ 2000 Hz: 25° @ 4000 Hz: 8°
Tilt angle**:	Vertical -4°
Range**:	20 m

ELECTRICAL PROPERTIES

Impedance*:	@ 100%: 80 Ω @ 50%: 158 Ω @ 25%: 322 Ω @ 12.5%: 666 Ω
Rated noise power:	125 W _{rms}
Rated noise voltage:	100 V _{rms}
Switch:	Power selector switch (100%, 50%, 25%, 12.5%) Switchable high-pass filter**
Fuses:	Lead fuse (1.6 A, time-lag type, replaceable) Thermal fuse (trigger temperature 104 °C, 16 A, 250 V _{AC} , one-shot operation, replaceable)
Connections:	Connecting terminal (ceramic) (2-pin) Cable diameter: 0.5 ... 2.5 mm ² Cable screw connection: Ø 4.5 ... 10 mm

MECHANICAL PROPERTIES

Pilot signal detection**:	Indicator: green LED behind protective grid Frequency range: 20 kHz – 23 kHz Required signal level (min): 6 V _{rms}
Enclosure:	Aluminium profile
Grille:	Powder-coated perforated metal sheet
Standard colours (with silver lids)***: (optional: lids in enclosure colour)	Aluminium RAL 9006 White RAL 9010 (silk matt) Black RAL 9005 (silk matt)
Operating temperature:	-25 °C to +70 °C ambient temperature
Dimensions (H x W x D):	906 x 107 x 136 mm
Weight:	5.55 kg
Certificates:	EN 54-24 Type B (outdoor) IP33C Ball impact resistant**
Mounting:	Horizontally rotatable wall mount (TWM III)

FREQUENCY RESPONSE

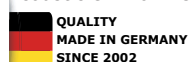
f [Hz]	500	630	800	1000	1250	1600	2000	2500	3150	4000	5000	6300	8000
L [dB]	70	70	69	68	67	68	68	67	68	66	64	64	66

* according to EN 54-24, HPF off

** not measured/tested in laboratory

*** special colours available on request

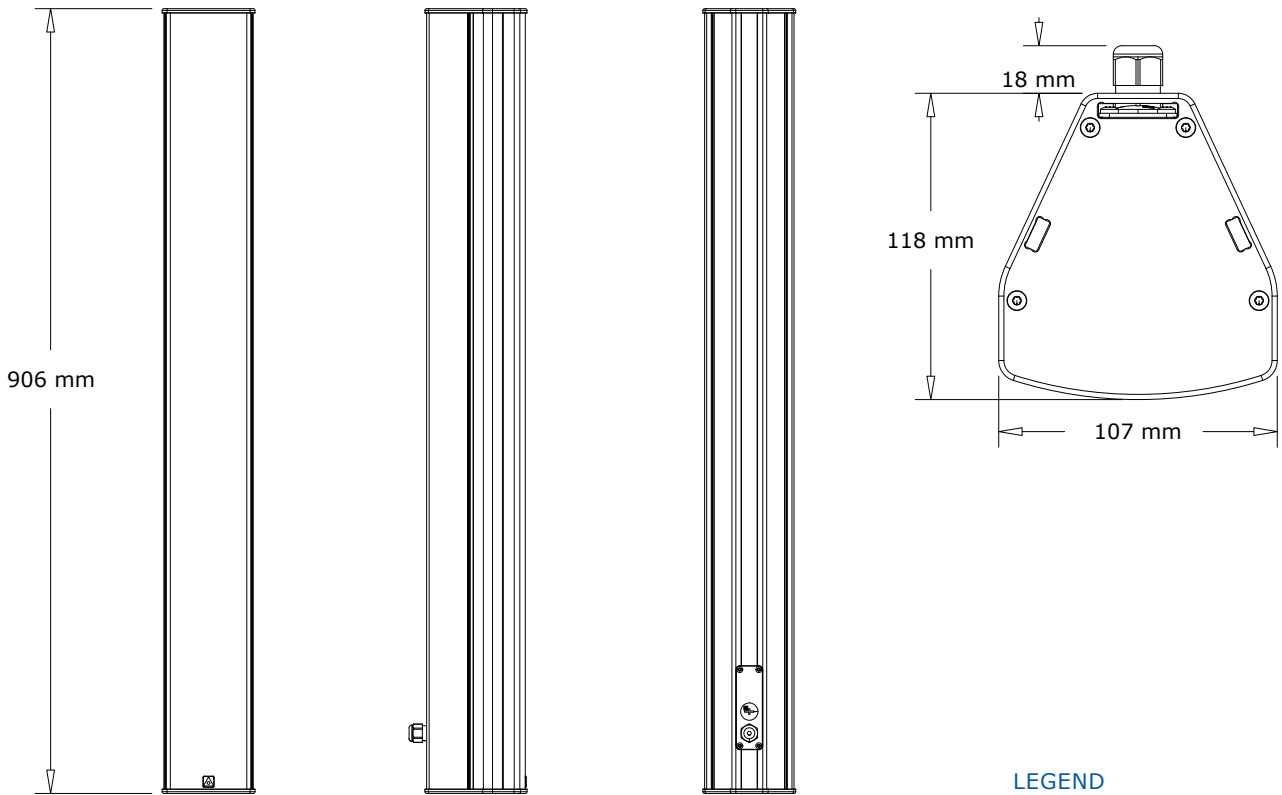
Acoustic environment for measurements: Free field



All products are designed, developed and manufactured by Pan Acoustics in Germany.
Pan Acoustics reserves the right to modify products without prior notice.

www.pan-acoustics.de

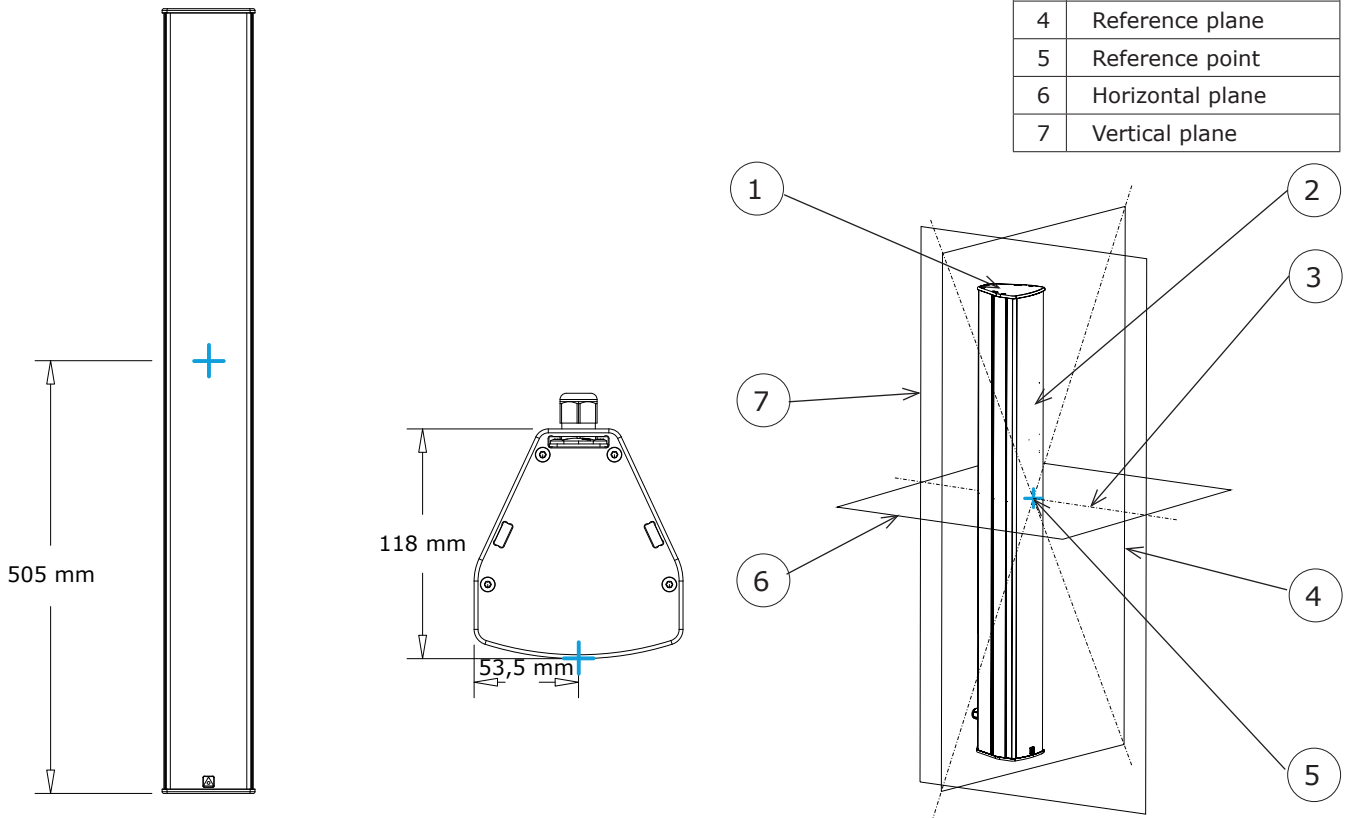
TECHNICAL DRAWING PAN EVAC P 08-EN54



LEGEND

1	Loudspeaker enclosure
2	Loudspeaker front
3	Reference axis
4	Reference plane
5	Reference point
6	Horizontal plane
7	Vertical plane

PHYSICAL REFERENCE DATA OF THE LOUDSPEAKER



Doc. no.: 01683.V1 - 12-2022 [translation based on German version]



All products are designed, developed and manufactured by Pan Acoustics in Germany.
Pan Acoustics reserves the right to modify products without prior notice.

www.pan-acoustics.de

EQUIPMENT / OPTIONS – PAN EVAC SERIES



Customised painting/colouring within the RAL colour range. Other colour ranges such as RAL design, Pantone, etc. available on request.



Accessories such as wall, tripod and ceiling mounts, different interfaces, connection cables, weather protection hoods and connection sets are available.



100 V audio inputs with selectable power taps.



Ball impact resistance



Weatherproofing of the loudspeakers



Looks good, sounds good.
Pan Acoustics' products are defined by natural sound and attractive design.

Some equipment features cannot be combined. For information about which features can be combined with each other, please send an e-mail to sales@pan-acoustics.de.

Our quality promise

Pan Acoustics stands by its products and gives up to **10 years warranty** on its loudspeakers for any material or manufacturing defects. New products manufactured in accordance with protection classes IP54 and IP65 as well as digital audio interfaces (Dante®) from Audinate Pty Ltd and rechargeable batteries are excluded from the 10-year warranty. A warranty period of 3 years is granted for loudspeakers in accordance with protection classes IP54 and IP65.



RELATED PRODUCT DOCUMENTATION

Document name	Document number
Manual Pan EVAC Series	01680
Manual horizontally rotatable wall mount (TWM III)	2022_01588

The corresponding manuals can be obtained via the following URL:

<https://www.pan-acoustics.de/en/service/download>