

DOCUMENTATION

**MOUNTING INSTRUCTIONS**  
**WALL BRACKET, HORIZONTALLY ROTATABLE (TWM III)**  
**FOR P / PB XX SPEAKER SYSTEMS**



**Shapely.**  
**Versatile.**  
**Functional.**

Read the manual carefully before installing the accessories.  
The manual must be retained.



All products are designed, developed and manufactured by Pan Acoustics in Germany.  
Pan Acoustics reserves the right to modify products without prior notice.

[www.pan-acoustics.de](http://www.pan-acoustics.de)

---

## General information

Mounting instructions  
Wall bracket, horizontally rotatable (TWM III)  
For P / PB xx speaker systems

Language: English

Doc. No.: 2022\_01588.V1 - 10.2022 [Translation based on German edition]  
Copyright © 2022 Pan Acoustics GmbH, all rights reserved

***This document must be kept with the product or in a safe place so that it is available when needed.***

If the product is resold, the document must be handed over to the new owner in printed or electronic form.

Pan Acoustics reserves the right to change/update the document without prior notice. The latest version of this document can be downloaded from the Pan Acoustics website.

Pan Acoustics GmbH  
Schweigerstr. 13d | 38302 Wolfenbüttel  
Tel.: +49 (0) 5331 900 95 70 | Fax: +49 (0) 5331 900 95 79  
E-mail: [contact@pan-acoustics.de](mailto:contact@pan-acoustics.de)

---

## Table of contents

1. Introduction	4
1.1. Symbols and explanation	4
1.2. General information and target group	4
2. Product description	4
2.1. Scope of delivery	5
3. Safety instructions	5
4. Assembly and use instructions	6
4.1. Overview of assemblies	6
4.2. Assembly	7
5. Transport and storage	8
6. Maintenance and care	8
7. Dimensions and weight	9
8. Disposal	9
9. Contact address	9




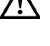
## 1. Introduction

Thank you for choosing a product from Pan Acoustics.

With the purchase of this accessory for Pan Acoustics speaker systems, you have acquired a product for safe mounting on walls.

Please read this operating manual carefully prior to startup in order to guarantee fault-free operation.

### 1.1. Symbols and explanation

- |  |  |
|--|--|
|  <b>DANGER</b>  | This symbol indicates a hazard with a high level of risk. If this hazard is not avoided, serious injury or death may result.   |
|  <b>WARNING</b> | This symbol indicates a hazard with a medium level of risk. If this hazard is not avoided, moderate to serious injury or death may result.                                   |
|  <b>CAUTION</b> | This symbol indicates a hazard with a low level of risk. Failure to observe this instruction may result in minor injuries or damage to property.                             |
|  <b>NOTICE</b>  | This symbol provides important instructions for the proper handling of the product. Failure to observe this instruction may result in damage to the product or malfunctions. |

### 1.2. General information and target group

All specifications in this operating manual are based on the product features available at the time of production and the safety rules applicable at that time.

This operating manual describes the setup, function and connection of the "Wall bracket, horizontally rotatable (TWM III)". It is geared towards systems technicians and persons assigned the task of installing and operating the system.

Pan Acoustics reserves the right to make changes and modifications within the scope of legal regulations and product improvements without notice.

This operating manual and all additional information required for operation must be read prior to use by all persons involved in commissioning. The operating manual and all additional information required must be kept within reach, near the device.

All necessary information and documents can be obtained from the Pan Acoustics website, [www.pan-acoustics.de/en/service/download](http://www.pan-acoustics.de/en/service/download), or per email from [contact@pan-acoustics.de](mailto:contact@pan-acoustics.de).

## 2. Product description

With the loudspeaker accessory "Wall bracket, horizontally rotatable (TWM III)", a loudspeaker P / PB xx from the product series: Pan Beam, Pan Speaker, Pan EVAC, Pan 2-Line and Pan AMT can be mounted on the wall. The bracket is designed to hold a loudspeaker with a maximum weight of 13 kg.

The bracket has a horizontal speaker swivel range of +/- 45°. It also allows a vertical swivel range of +/- 5°. Lateral mounting of the loudspeaker is also possible.

The bracket is attached to the wall with screws and dowels (not included in delivery). The bracket can be precisely aligned on the wall using the mounting slot holes.

The bracket is designed for indoor and outdoor use.

## 2.1. Scope of delivery

Description	Quantity
Slider 30 x 4 x 90mm	1
Threaded pin, M6 x 8mm socket bolt, A2, DIN 916	2
Mount (loudspeaker)	1
Flange cap screw, M6 x 10 mm, ISO 7380, hexagon socket, pressed-on disc	2
Wall mount	1
Axle element	1
Hexagon nut, M6, DIN 985	2
Hex bold, M6 x 35mm, DIN 933	2
Half bolt with allen, M8 x 16mm 10.9 vz, ISO 7380	2
Washer, M8	2
Cap	4
Product information for Pan Acoustics accessories	1

### NOTICE

Screws and dowels for the attachment to the wall are not included in the scope of delivery. These must be individually matched to the structure and material of the wall.

The mount is to be carefully inspected upon receipt for shipping damage and completeness. In case of damage, the forwarder and sender are to be notified without delay.

Safety may be impaired if the product:

- shows signs of visible damage.
- has not been delivered completely.
- has been stored under adverse conditions for a prolonged period.
- has been improperly shipped (e.g. unsuitable packaging).

If the product shows signs of impairments that no longer guarantee safe operation, the article is to be secured and labeled accordingly. It should also be ensured that no intentional or inadvertent use by third parties is possible.

## 3. Safety instructions

The following safety regulations are to be read completely and diligently prior to installing the mount and afterwards kept in a safe place near the device. Reading the instruction manual is no substitute for knowing and following all valid local safety regulations and rules. Persons assigned to the assembly of equipment must be properly trained and are required to work with proper personal protection equipment. Furthermore, the assigned persons are responsible for, and are to guarantee, the safe setup and use of the speaker.

### DANGER

- Power and signal lines must never be used for suspending, rigging or securing speakers.
- Only use the mount intended for mounting specified products in order to guarantee safe operation of the products.

### WARNING

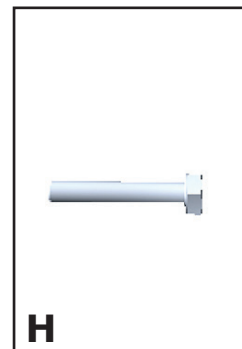
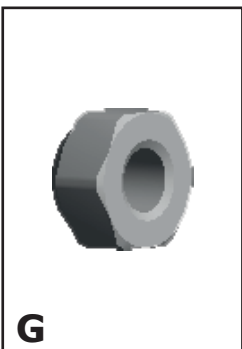
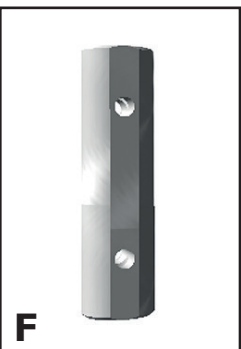
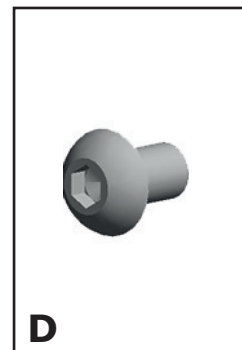
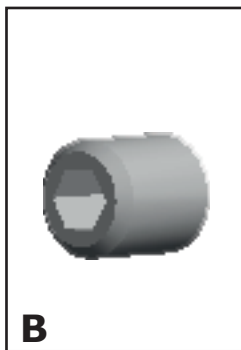
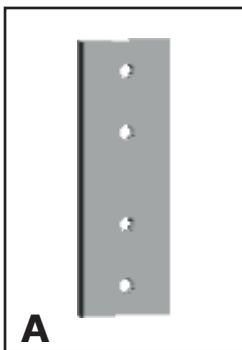
- When attaching the mount to a wall, check the weight capacity, rigidity and type of wall. In case of a porous base surface, for instance, additional measures are to be taken by the assembler to prevent the screw connection from breaking out of the wall.
- Only the original parts delivered by Pan Acoustics are allowed to be used for assembly. The use of other parts, in particular parts from unknown or third-party manufacturers, is prohibited.
- Please undertake to ensure that all mounting and fastening materials conform to the relevant safety guidelines and are sufficiently dimensioned.
- Undertake to ensure that all connections are friction locking and form fitting, and secured against self-loosening.

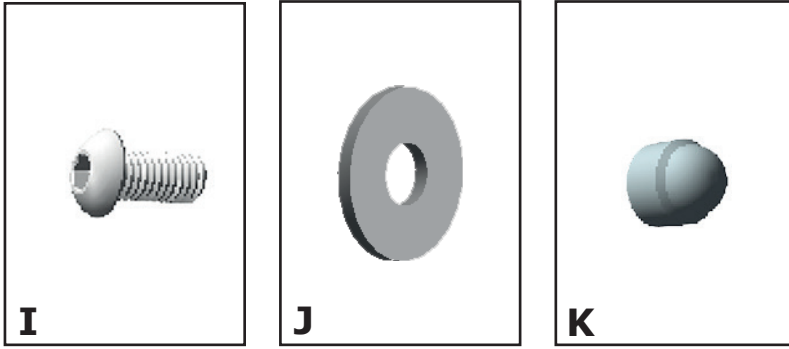
- The user is to observe existing safety requirements and regulations.
- The speaker accessory is not to be used for lifting, lowering or securing people or objects other than the specified speakers from the Pan Beam and Pan Speaker series.
- The "Wall bracket, horizontally rotatable (TWM III)" is rated for the assembly of speaker systems weighing up to 13 kg.
- It is recommended to use an additional securing element to secure each suspended speaker against falling.
- In general, a visual inspection of the speaker and the accessory is to be performed prior to each use/assembly. If there are signs of wear, cracking or deformation, they are to be replaced without delay. The visual inspection also includes checking the screw connections on load-bearing parts of the speaker and accessory.

**4. Assembly and use instructions**

**4.1. Overview of assemblies**

<i>Description</i>	<i>Drawing</i>
Slider 30 x 4 x 90mm	A
Threaded pin, M6 x 8mm socket bolt, A2, DIN 916	B
Bracket (loudspeaker)	C
Flange cap screw, M6 x 10 mm, ISO 7380, hexagon socket, pressed-on disc	D
Bracket (wall)	E
Axle element	F
Hexagon nut, M6, DIN 985	G
Hex bold, M6 x 35mm, DIN 933	H
Half bolt with allen, M8 x 16mm 10.9 vz, ISO 7380	I
Washer, M8	J
Cap	K





4.2. Assembly

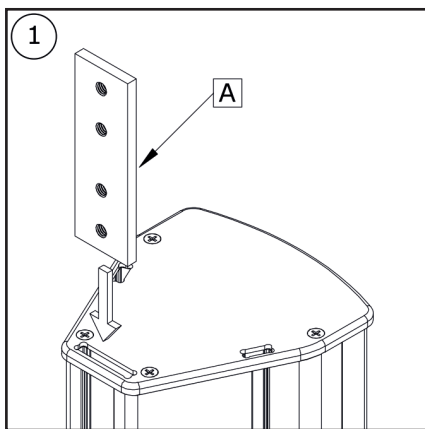
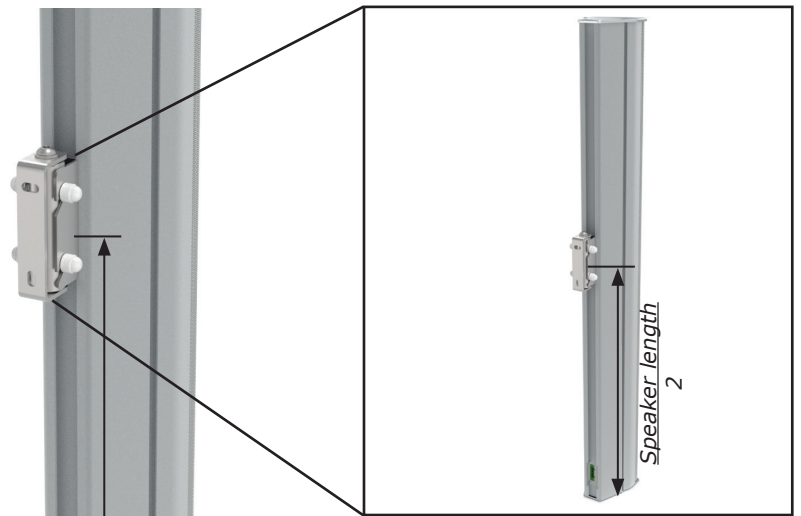
**⚠ CAUTION**

Improperly selected fastening material for wall or ceiling assembly may cause the speaker to fall down.

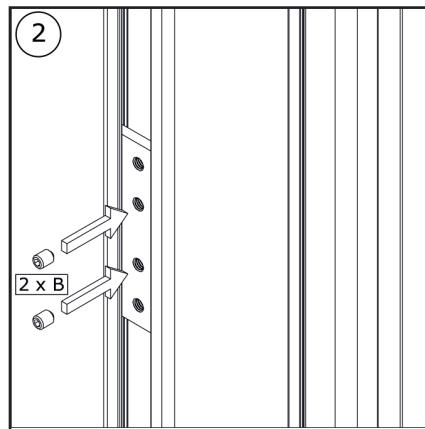
Prior to assembly, it is necessary to check the wall or ceiling material to which the speaker is to be fastened. Be sure to provide suitable fastening material (dowels and matching screws) for assembly.

**⚠ NOTICE**

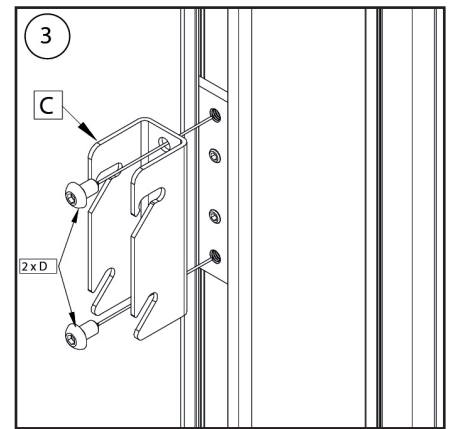
The "Wall bracket, horizontally rotatable (TWM III)" is always to be mounted in the centre of the loudspeaker unit, see picture on the right.



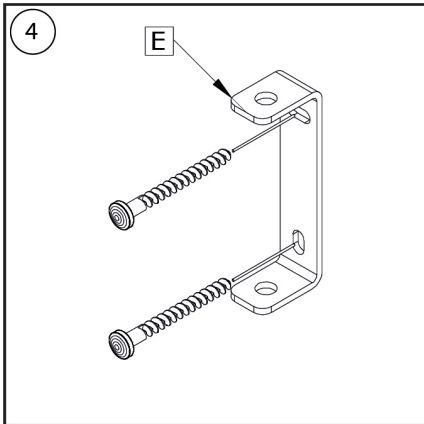
1 Insert the slot nut (A) into the rear slot of the speaker through the opening in the cover.



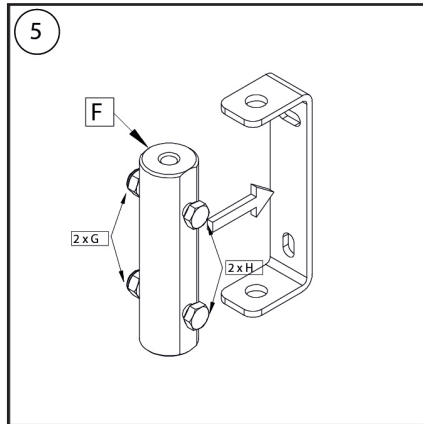
2 Pre-mount the 2 set screws (B) into the middle threads of the slot nuts. Position the slot nut at the midpoint of the speaker and tighten the set screws so that the slot nut can no longer move.



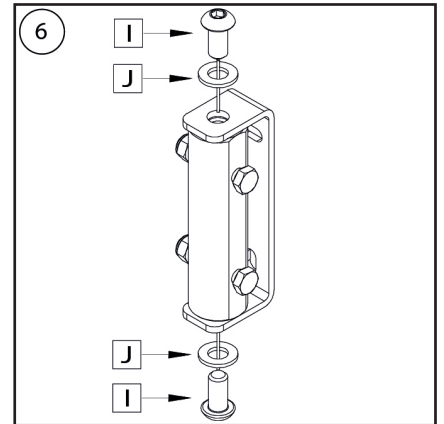
3 Screw bracket (speaker) (C) onto the mounted slot nut (A) using 2 screws (D).



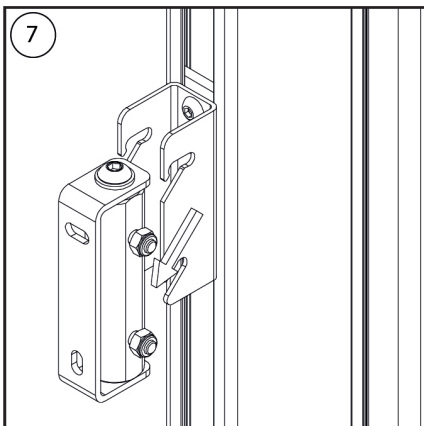
Fasten bracket (wall) (E) using two screw fixings suitable for wall mounting.



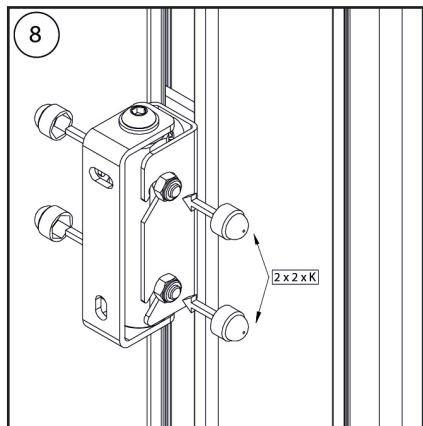
Install the axle (F) with the pre-mounted screw connection (G+H) into holder (wall) (E).



Connect the Axle (F) with screw (I) and washer (J) with the mount (wall) (D) on top and bottom.



Install the pre-mounted mount (loudspeaker) (C) into mount (wall) (D).



Push the caps (K) onto the screw connection.

### ⚠ NOTICE

Check all screw connections for firm fit and friction locking. The individual assemblies are to be checked to ensure that they are form fitting, and screw connections are to be re-tightened where appropriate.

## 5. Transport and storage

The product is to be transported with care to prevent any damage that would impair its function.

The product is designed for both indoor and outdoor applications. Prolonged storage in liquids, e.g. water, is to be avoided.

## 6. Maintenance and care

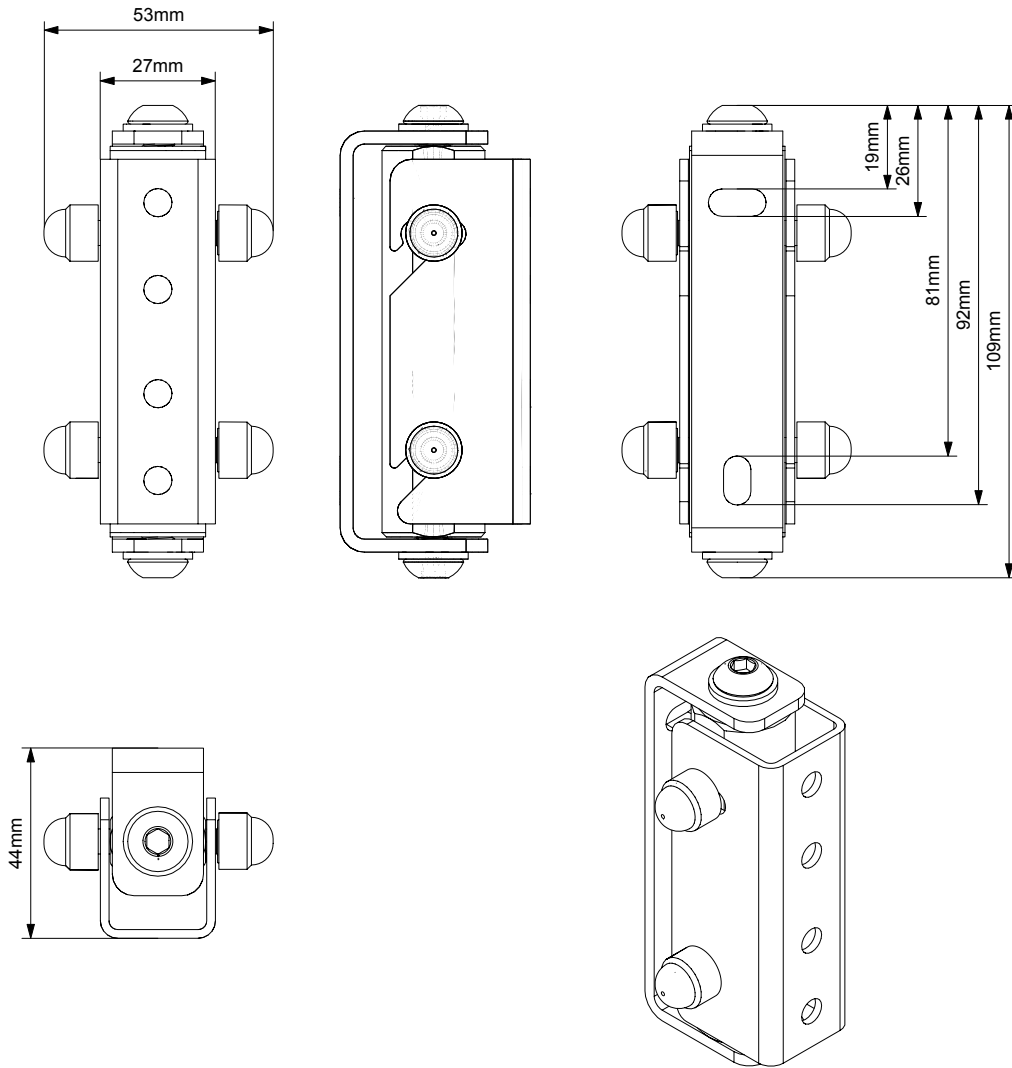
The speaker accessory may show signs of wear over time, e.g. due to mechanical loads, corrosion or improper handling. Therefore, for permanent installations, check the mount at regular intervals for signs of wear and firm fit.

When performing inspections, it is particularly important to watch out for deformations, cracks, notches, damage on threads and corrosion. Mounting and fastening materials such as screws and tensioning straps also need to be checked thoroughly for wear or deformation.

If the check reveals uncertainties or damaged parts, the speaker/mount may no longer be used. The operator/user is required to be familiar with country-specific comprehensive testing regulations and to apply them.

## 7. Dimensions and weight

Weight without assembly material: 0.5 kg



## 8. Disposal

The product is to be disposed of according to existing national regulations. Please undertake to ensure that the product cannot be re-used or used for any other purpose after disposal.

## 9. Contact address

Pan Acoustics GmbH  
Schweigerstr. 13d

38302 Wolfenbüttel  
Germany

Tel.: +49 (0) 5331 900 95 70

Fax: +49 (0) 5331 900 95 79

E-mail: [support@pan-acoustics.de](mailto:support@pan-acoustics.de)

**CONTACT:**

**Pan Acoustics GmbH** | Schweigerstr. 13d | D-38302 Wolfenbüttel | Germany  
Tel.: +49 (0) 5331 900 95 70 | Fax: +49 (0) 5331 900 95 79 | E-mail: [contact@pan-acoustics.de](mailto:contact@pan-acoustics.de)

