

DOCUMENTATION

## OPERATING MANUAL / ASSEMBLY MANUAL

V 1.0



### Wall Mount Fixed

for PB 04 | PB 08 | PB 16 | PB 24 | PB 32 | PB 40 | P 02-Pi | P 04-Pi | 08-Pi | P 16-Pi

Read the operating manual carefully prior to putting the device into operation.  
The operating manual must be kept near the device.

[www.pan-acoustics.de](http://www.pan-acoustics.de)

## 1. Introduction

Thank you for choosing a product from Pan Acoustics.

With the purchase of this accessory for Pan Beam and Pan Speaker systems, you have acquired a product for safe mounting of the PB 04 | PB 08 | PB 16 | PB 24 | PB 32 | PB 40 and P 02-Pi | P 04-Pi | P 08-Pi | P 16-Pi arrays on walls.

Please read this operating manual carefully prior to startup in order to guarantee fault-free operation.

### 1.1. Symbols and explanation

#### DANGER

This symbol indicates a hazard with a high level of risk. If this hazard is not prevented, severe injuries or death may result.

#### WARNING

This symbol indicates a hazard with a moderate level of risk. If this hazard is not prevented, moderate to severe injuries or death may result.

#### CAUTION

This symbol indicates a hazard with a moderate level of risk. Failure to observe this instruction may lead to minor injuries or property damage.

#### NOTICE

This symbol provides important instructions for proper handling of the product. Failure to observe this instruction may lead to damage to the product or malfunctions.

### 1.2. General information and target group

All specifications in this operating manual are based on the product features available at the time of production and the safety rules applicable at that time.

This operating manual describes the setup, function and connection of the Rigid Wall Mount for Pan Beam and Pan Speaker systems. It is geared towards systems technicians and persons assigned the task of installing and operating the system.

Technical specifications such as dimensions, weight and properties do not represent guaranteed properties. Pan Acoustics reserves the right to make changes and modifications without prior notice within the scope of statutory regulations and product improvements.

This operating manual and all additional information required for operation must be read prior to use by all persons involved in commissioning. The operating manual and all additional information required must be kept within reach, near the device.

German is the original language of all Pan Acoustics operating manuals.

All necessary information and documents can be obtained from the Pan Acoustics website, [www.pan-acoustics.de/en/manuals.html](http://www.pan-acoustics.de/en/manuals.html), or per email from [contact@pan-acoustics.de](mailto:contact@pan-acoustics.de).

## 2. Product description

With the Rigid Wall Mount speaker accessory, a PB 04 | PB 08 | PB 16 | PB 24 | PB 32 | PB 40 and P 02-Pi | P 04-Pi | P 08-Pi | P 16-Pi array can be easily and safely mounted on walls. The mount is attached to the wall by means of dowel joints (not included in scope of delivery).

The mount is designed for both indoor and outdoor use.

Depending upon the speaker length, several brackets may be necessary. The mount is always to be installed at the midpoint of the speaker/speaker module (PB 08).

## 2.1. Scope of delivery

<i>Description</i>	<i>Quantity</i>
Bracket (wall)	1
Bracket (speaker)	1
Slot nut 30 x 5 x 90 mm	1
Set screw, M6 x 8 ring washer, A2, DIN 916	2
Hex nut, M6, A2, self-locking	2
Washer, M6, A2, DIN 9021	2
Cup square bolt, M6 x 45, A2, DIN 603	2
Washer, A 8, 4, polyamide, black, DIN 125	2
Product information for Pan Acoustics Accessories	1

## NOTICE

Screws and dowels for the attachment to the wall are not included in the scope of delivery. These must be individually matched to the structure and material of the wall.

The mount is to be carefully inspected upon receipt for shipping damage and completeness. In case of damage, the forwarder and sender are to be notified without delay.

Safety may be impaired if the product:

- shows signs of visible damage.
- has not been delivered completely.
- has been stored under adverse conditions for a prolonged period.
- has been improperly shipped (e.g. unsuitable packaging).

If the product shows signs of impairments that no longer guarantee safe operation, the article is to be secured and labeled accordingly. It should also be ensured that no intentional or inadvertent use by third parties is possible.

## 3. Safety instructions

The following safety regulations are to be read completely and diligently prior to installing the mount and afterwards kept in a safe place near the device. Reading the instruction manual is no substitute for knowing and following all valid local safety regulations and rules. Persons assigned to the assembly of equipment must be properly trained and are required to work with proper personal protection equipment. Furthermore, the assigned persons are responsible for, and are to guarantee, the safe setup and use of the speaker.

## DANGER

- Power and signal lines must never be used for suspending, rigging or securing speakers.
- Only use the mount intended for mounting specified products in order to guarantee safe operation of the products.

## WARNING

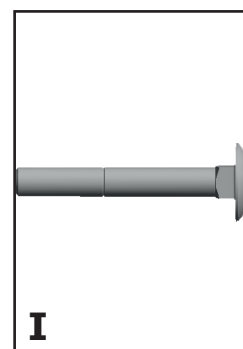
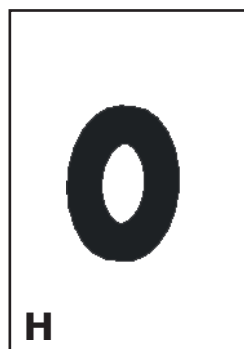
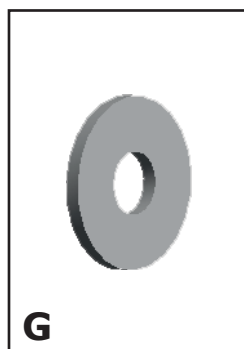
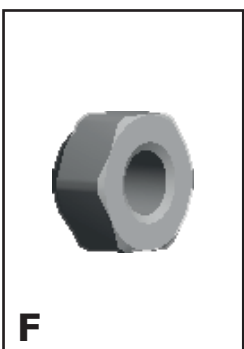
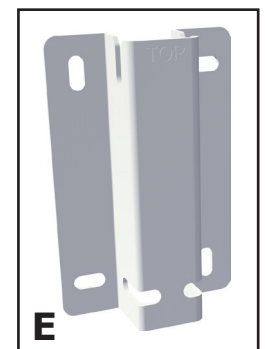
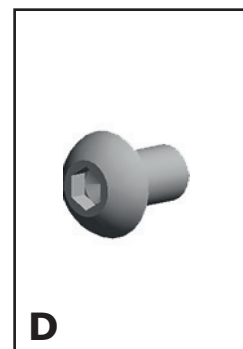
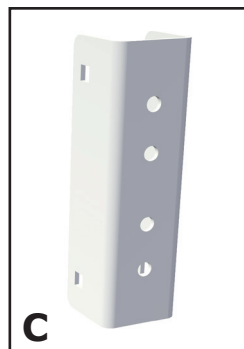
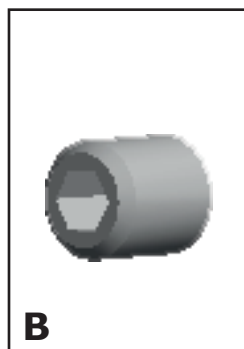
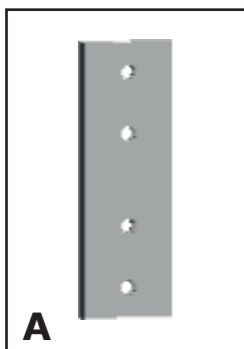
- When attaching the mount to a wall, check the weight capacity, rigidity and type of wall. In case of a porous base surface, for instance, additional measures are to be taken by the assembler to prevent the screw connection from breaking out of the wall.
- Only the original parts delivered by Pan Acoustics are allowed to be used for assembly. The use of other parts, in particular parts from unknown or third-party manufacturers, is prohibited.
- Please undertake to ensure that all mounting and fastening materials conform to the relevant safety guidelines and are sufficiently dimensioned.
- Undertake to ensure that all connections are friction locking and form fitting, and secured against self-loosening.
- The user is to observe existing safety requirements and regulations.

- The speaker accessory is not to be used for lifting, lowering or securing people or objects other than the specified speakers from the Pan Beam and Pan Speaker series.
- The Rigid Wall Mount is rated for the assembly of speaker systems weighing up to 11 kg.
- It is recommended to use an additional securing element to secure each suspended speaker against falling.
- In general, a visual inspection of the speaker and the accessory is to be performed prior to each use/assembly. If there are signs of wear, cracking or deformation, they are to be replaced without delay. The visual inspection also includes checking the screw connections on load-bearing parts of the speaker and accessory.

#### 4. Assembly and use instructions

##### 4.1. Overview of assemblies

Description	Drawing
Slot nut 30 x 5 x 90 mm	A
Set screw, M6 x 8 washer, A2, DIN 916	B
Bracket (speaker)	C
Cylinder screw M6 x 10, A2, DIN 7984	D
Bracket (wall)	E
Hex nut, M6, A2, DIN 985, self-locking	F
Washer, M6, A2, DIN 9021	G
Washer, A 8.4, polyamide, black, DIN 125	H
Cup square bolt, M6 x 45, A2, DIN 603	I



#### ⚠ NOTICE

Depending upon the speaker, additional brackets may be required, see table.

##### Number of brackets depending upon speaker module

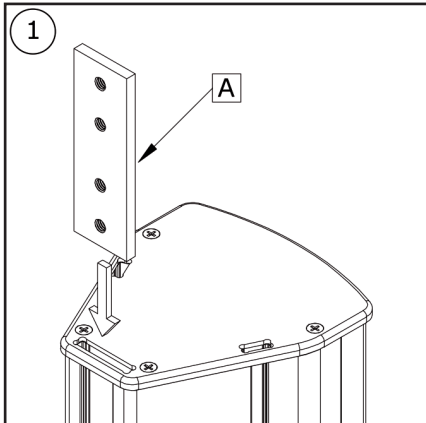
Model	P 02-Pi	P 04 PB 04	P 08-Pi PB 08	P 16-Pi PB 16	PB 24	PB 32	PB 40
Brackets	1	1	1	2	2	4	5

### 4.2. Assembly

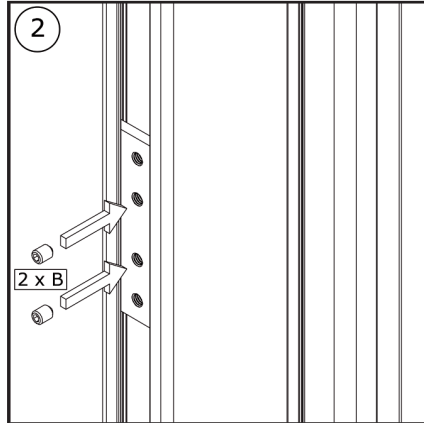
#### **⚠ CAUTION**

Improperly selected fastening material for wall or ceiling assembly may cause the speaker to fall down.

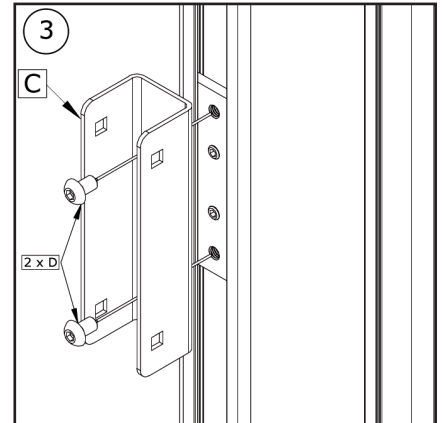
Prior to assembly, it is necessary to check the wall or ceiling material to which the speaker is to be fastened. Be sure to provide suitable fastening material (dowels and matching screws) for assembly.



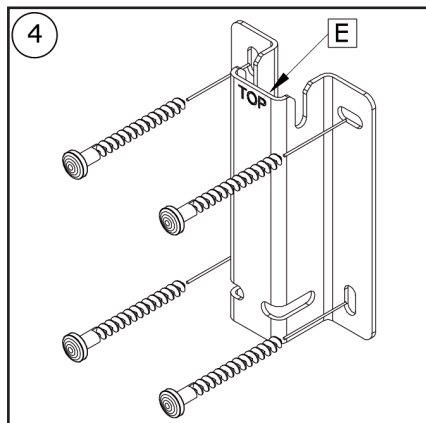
1 Insert the slot nut (A) into the rear slot of the speaker through the opening in the cover.



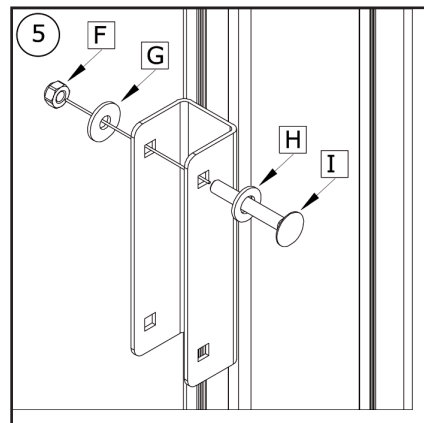
2 Pre-mount the 2 set screws (B) into the middle threads of the slot nuts. Position the slot nut at the midpoint of the speaker and tighten the set screws so that the slot nut can no longer move.



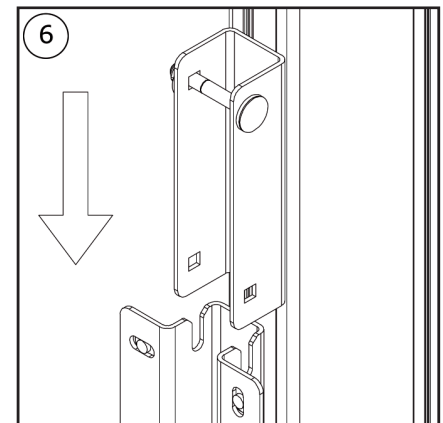
3 Screw bracket (speaker) (C) onto the mounted slot nut (A) using 2 screws (D).



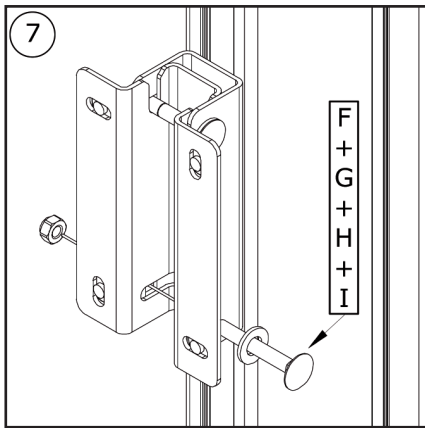
4 Fasten bracket (wall) (E) using four screw fixings suitable for wall mounting.



5 Install assemblies (F|G|H|I) in the upper hole of the bracket (speaker) (C).



6 Fit the speaker with the mounted bracket (speaker) (C) onto the bracket (wall) (E).



Install assemblies (F|G|H|I) in the lower hole of the bracket (speaker) (C).

## **⚠ NOTICE**

Check all screw connections for firm fit and friction locking. The individual assemblies are to be checked to ensure that they are form fitting, and screw connections are to be re-tightened where appropriate.

### **6. Transport and storage**

The product is to be transported with care to prevent any damage that would impair its function.

The product is designed for both indoor and outdoor applications. Prolonged storage in liquids, e.g. water, is to be avoided.

### **5. Maintenance and care**

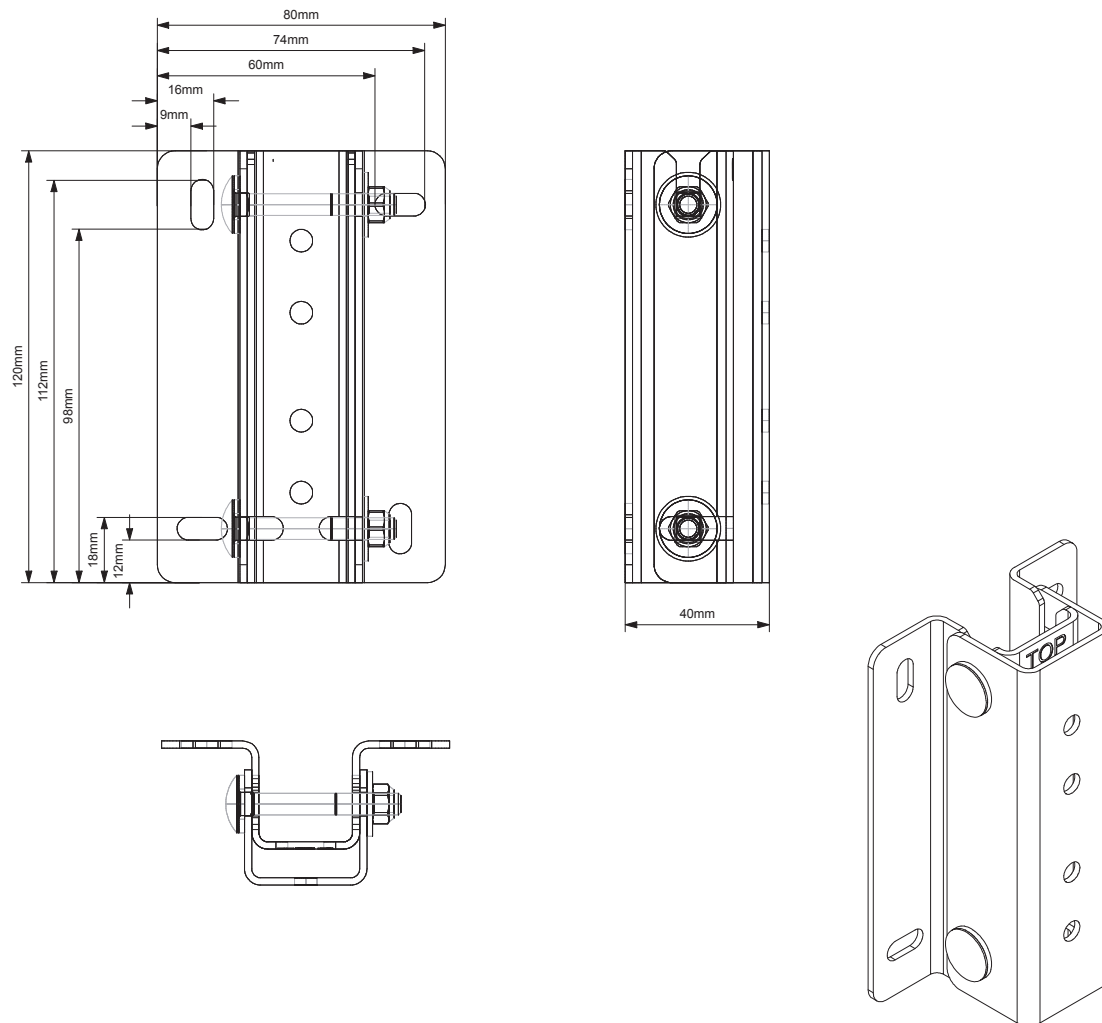
The speaker accessory may show signs of wear over time, e.g. due to mechanical loads, corrosion or improper handling. Therefore, for permanent installations, check the mount at regular intervals for signs of wear and firm fit.

When performing inspections, it is particularly important to watch out for deformations, cracks, notches, damage on threads and corrosion. Mounting and fastening materials such as screws and tensioning straps also need to be checked thoroughly for wear or deformation.

If the check reveals uncertainties or damaged parts, the speaker/mount may no longer be used. The operator/user is required to be familiar with country-specific comprehensive testing regulations and to apply them.

## 7. Dimensions and weight

Weight without assembly material: 0.7 kg



## 8. Disposal

The product is to be disposed of according to existing national regulations. Please undertake to ensure that the product cannot be re-used or used for any other purpose after disposal.

## 9. Contact address

Pan Acoustics GmbH  
Lindener Straße 15

Tel: +49 (0) 5331 900 95 70  
Fax: +49 (0) 5331 900 95 79

38300 Wolfenbüttel  
Germany

Email: [support@pan-acoustics.de](mailto:support@pan-acoustics.de)