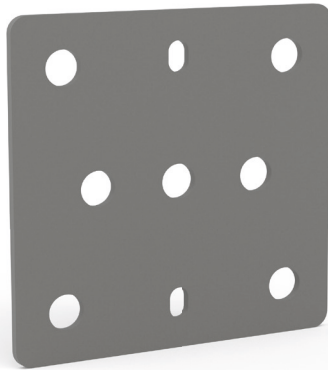


DATASHEET

**ADAPTER PLATE, P XX-CX**



The **adapter plate, P xx-CX** makes it possible to mount other accessories such as wall and ceiling brackets from the Pan Accessories series on the Pan Speaker CX loudspeakers.

The adapter plate is made of steel and is attached to the back of the CX speakers with 4 screws.

The hole pattern of the adapter plate is chosen to be compatible with most accessories from the Pan Accessories series.



**EQUIPMENT / OPTIONS**



See last page for explanation of the symbols.

**APPLICATIONS**

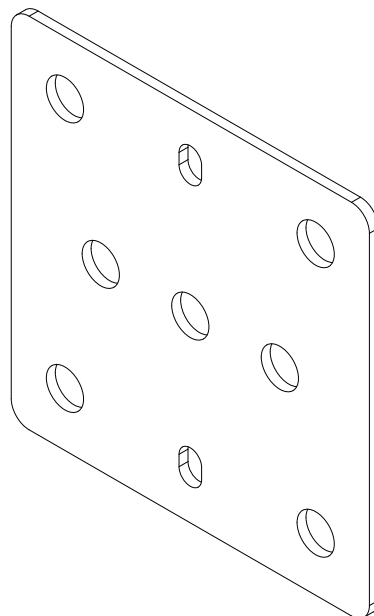
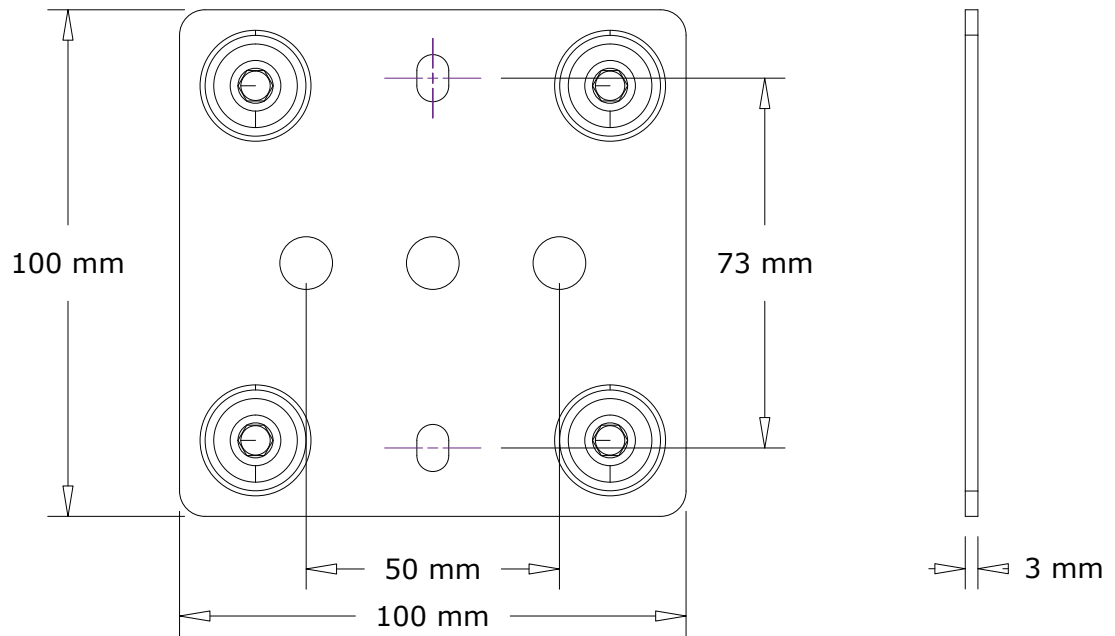
Mounting CX loudspeaker

**ADAPTER PLATE, P XX-CX**

MECHANICAL PROPERTIES

<b>Material:</b>	Steel
<b>Standard colours:</b>	Grey aluminium (RAL 9007)
<b>Supported speakers:</b>	P 8-CX, P 8-CX   NL4, P 10-CX, P 10-CX   NL4, P 12-CX, P 12-CX   NL4
<b>Dimensions (H x W x D):</b>	100 x 100 x 3 [mm]
<b>Weight:</b>	0,2 kg

**TECHNICAL DRAWING**





## EQUIPMENT / OPTIONS AT GLANCE - ACCESSORIES



**Customised painting/colouring** within the RAL colour range. Other colour ranges such as RAL design, Pantone, etc. are available on request.



**Looks good, sounds good.** Pan Acoustics' products are defined by natural sound and attractive design.

Some equipment features cannot be combined. For information about which features can be combined with each other, please send an e-mail to [sales@pan-acoustics.de](mailto:sales@pan-acoustics.de).

### Our quality promise

**Pan Acoustics** stands by its products and gives up to **10 years warranty** on its loudspeakers for any material or manufacturing defects. New products manufactured in accordance with protection classes IP54 and IP65 as well as digital audio interfaces (Dante®) from Audinate Pty Ltd and rechargeable batteries are excluded from the 10-year warranty. A warranty period of 3 years is granted for loudspeakers in accordance with protection classes IP54 and IP65.

