

DATASHEET

**SWIVEL BRACKET, P 8-CX**



The **Swivel bracket, P 8-CX** enables the use of CX speakers from the Pan Speaker series on trusses, leaflet hoists or load bars. For mounting, e.g. a half-coupler, the bracket has a central hole [ø 11mm]. Alternatively, the bracket can be attached directly to ceilings or walls using a screw and dowel connection.

The **Swivel bracket, P 8-CX** can be used for both vertical and horizontal mounting.

The Swivel bracket is available in the colours black (RAL 9005) and white (RAL 9010).



**EQUIPMENT / OPTIONS**



See last page for explanation of the symbols.

**APPLICATIONS**

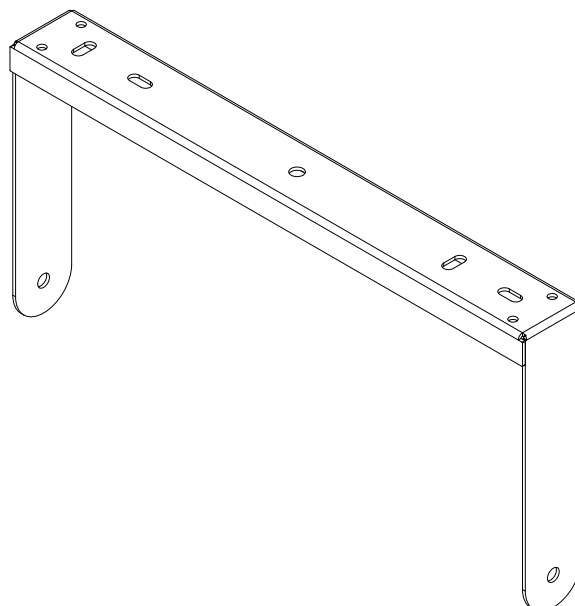
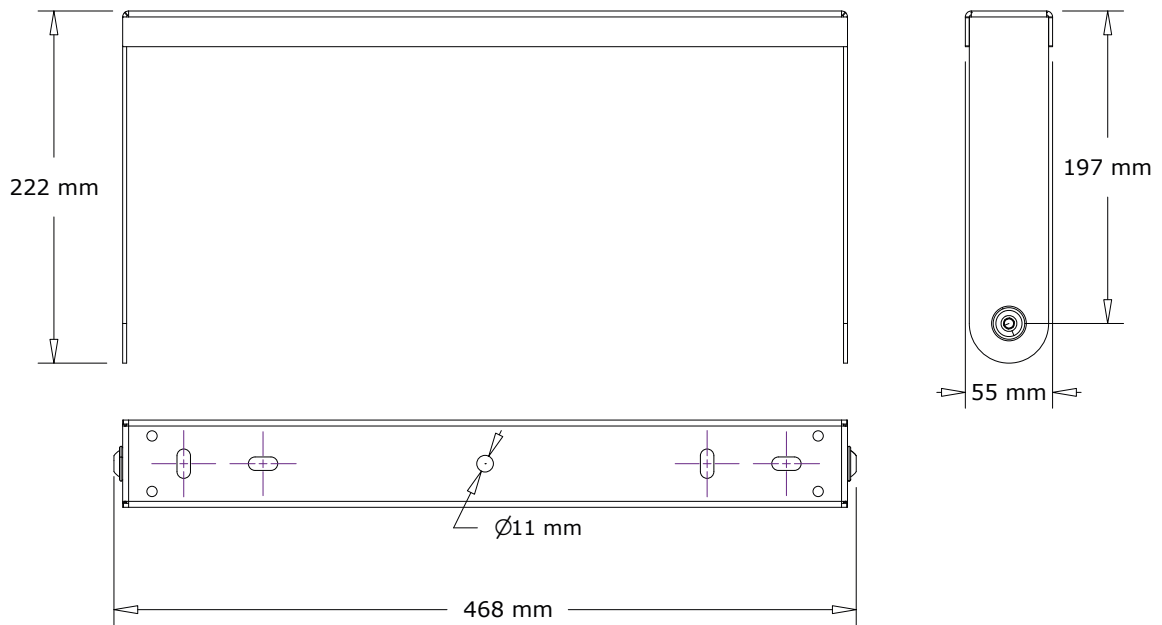
Mounting CX loudspeaker

**SWIVEL BRACKET, P 8-CX**

MECHANICAL PROPERTIES

<b>Material:</b>	Steel
<b>Standard colours:</b>	Black (RAL 9005) White (RAL 9010)
<b>Supported speakers:</b>	P 8-CX, P 8-CX   NL4
<b>Dimensions (H x W x D):</b>	222 x 468 x 55 [mm]
<b>Weight:</b>	1,8 kg

TECHNICAL DRAWING





## EQUIPMENT / OPTIONS AT GLANCE - ACCESSORIES



**Customised painting/colouring** within the RAL colour range. Other colour ranges such as RAL design, Pantone, etc. are available on request.



**Looks good, sounds good.** Pan Acoustics' products are defined by natural sound and attractive design.

Some equipment features cannot be combined. For information about which features can be combined with each other, please send an e-mail to [sales@pan-acoustics.de](mailto:sales@pan-acoustics.de).

### Our quality promise

**Pan Acoustics** stands by its products and gives up to **10 years warranty** on its loudspeakers for any material or manufacturing defects. New products manufactured in accordance with protection classes IP54 and IP65 as well as digital audio interfaces (Dante®) from Audinate Pty Ltd and rechargeable batteries are excluded from the 10-year warranty. A warranty period of 3 years is granted for loudspeakers in accordance with protection classes IP54 and IP65.

