

DATASHEET

**HORIZONTALLY ROTATABLE WALL MOUNT (TWM III)**  
FOR P / PB XX LOUDSPEAKER SYSTEMS



The **horizontally rotatable wall mount (TWM III) for P / PB xx loudspeaker systems** from the **Pan Accessories series** can be used to accommodate the P / PB xx models of the **Pan Beam, Pan Speaker, Pan 2-Line and Pan AMT loudspeaker system range**.

The accessory is made of steel and can be powder-coated to match the colour scheme of the loudspeaker. The wall mount is designed for secure mounting of the loudspeakers to wall surfaces and consists of two parts for easy installation. In addition, the wall mount can only be dismantled using tools.

The wall mount can be moved freely over the length of the loudspeaker via the included slot nut to be mounted in the rear slot of the loudspeaker. This permits to flexibly adjust the height of the loudspeaker.

The wall mount provides a horizontal speaker swivel range of +/- 45°. It also provides a vertical swivel range of +/- 5°. Lateral mounting of the loudspeaker is also possible.

**EQUIPMENT / OPTIONS**



See last page for explanation of the symbols.

**APPLICATIONS**

Wall mounting

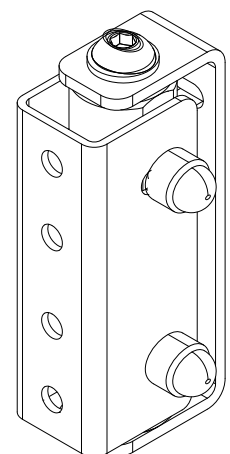
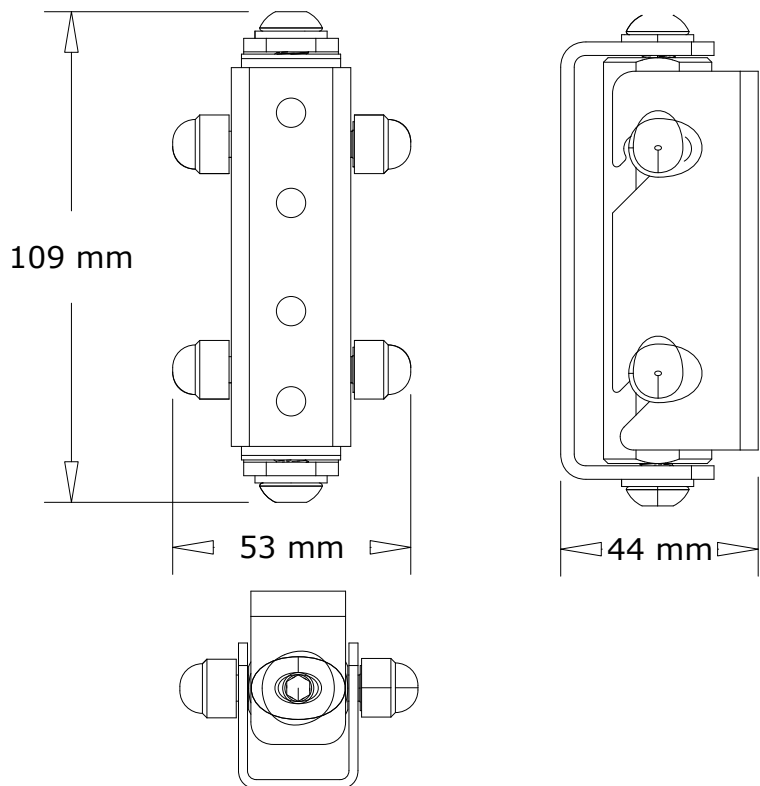
All **Pan Acoustics** loudspeakers and the corresponding accessories are designed, developed and manufactured in Germany by Pan Acoustics according to strict criteria and with high-quality materials.

**TECHNICAL DATA: HORIZONTALLY ROTATABLE WALL MOUNT (TWM III)**

**MECHANICAL PROPERTIES**

<b>Material:</b>	Steel
<b>Speaker swivel range</b> Vertical: Horizontal:	+/- 5° 190° (+/- 95°)
<b>Load capacity:</b>	max. 13 kg
<b>Standard colour:</b>	Galvanised steel
<b>Dimensions without loudspeaker (H x W x D):</b>	109 x 53 x 44 [mm]
<b>Weight per wall mount:</b>	0.2 kg

**TECHNICAL DRAWING**





## EQUIPMENT / OPTIONS AT GLANCE – ACCESSORIES



**Customised painting/colouring** within the RAL colour range. Other colour systems such as RAL design, Pantone, etc. are available on request.



**Looks good, sounds good.** Pan Acoustics' products are defined by natural sound and attractive design.

Some equipment features cannot be combined. For information about which features can be combined with each other, please send an e-mail to [sales@pan-acoustics.de](mailto:sales@pan-acoustics.de).

### Our quality promise

**Pan Acoustics** stands by its products and gives up to **10 years warranty** on its loudspeakers for any material or manufacturing defects. New products manufactured in accordance with protection classes IP54 and IP65 as well as digital audio interfaces (Dante®) from Audinate Pty Ltd and rechargeable batteries are excluded from the 10-year warranty. A warranty period of 3 years is granted for loudspeakers in accordance with protection classes IP54 and IP65.

