

DATASHEET

SWIVEL BRACKET, 261-AMT



The **Swivel Bracket, 261-AMT** from the **Pan Accessories series** has been developed to accommodate the P 261-AMT | Cine and P 261-AMT | Event models of the **Pan AMT loudspeaker system range**.

The bracket is made of steel and has a powder coating. The bracket is designed for secure mounting of the loudspeakers on ceilings and for vertical flying installation on pipes/trusses or on tripods. Appropriate mounting accessories such as TV spigots, tripod adapters or eyebolts for attachment to steel cables can be mounted using the holes in the top of the bracket.

The swivel bracket can be adjusted in 15-degree increments in a swivel range of +15° to -195° via the lateral locking plates. The plates can be locked in the set position by locking bolts.

The swivel bracket is attached via the lateral slots of the P 261-AMT | Cine or P 261-AMT | Event loudspeaker.

EQUIPMENT / OPTIONS



See last page for explanation of the symbols.

APPLICATIONS

ceiling mount, vertical attachment (flying) to pipes or trusses

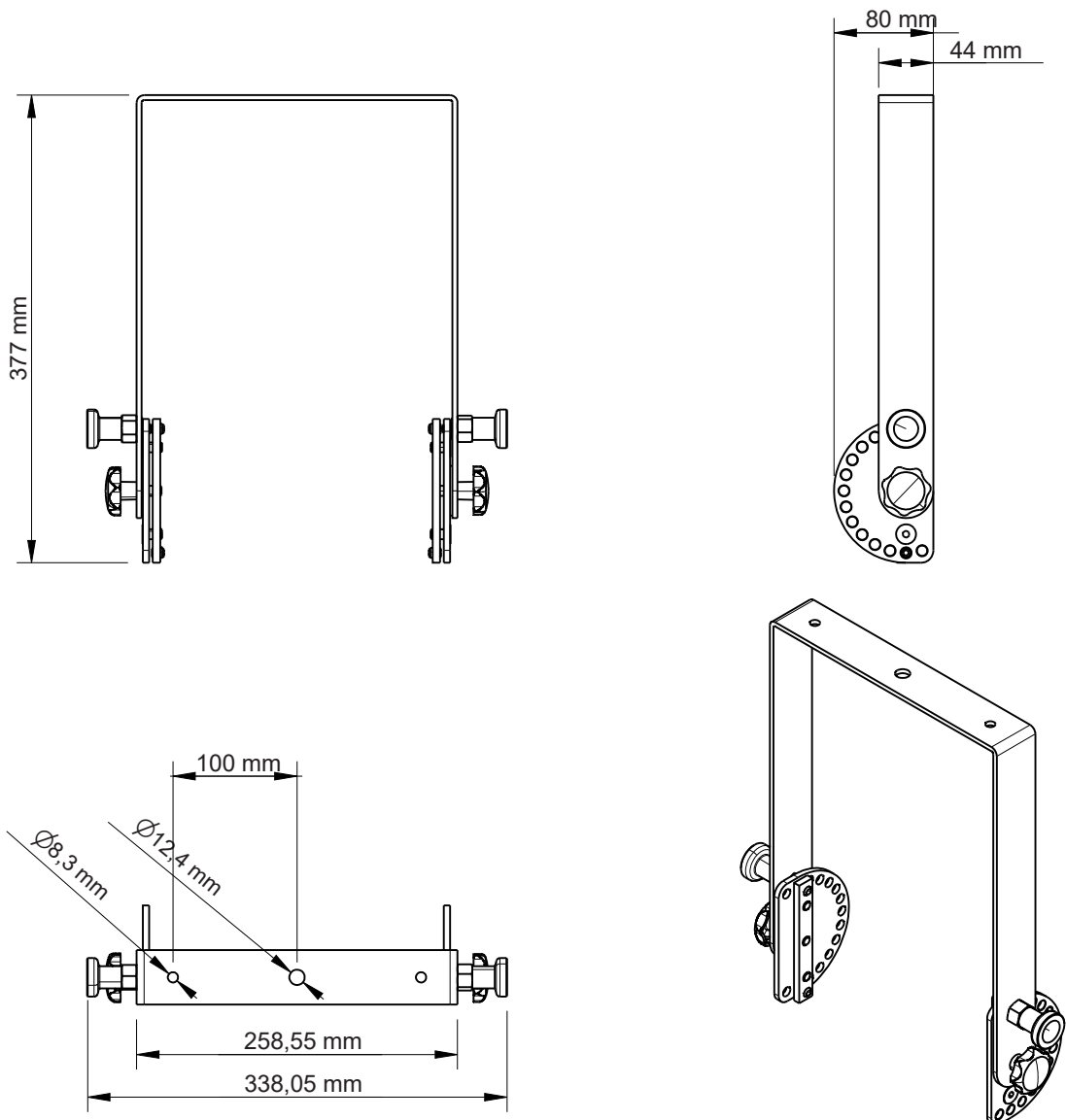
All **Pan Acoustics** loudspeakers and the corresponding accessories are designed, developed and manufactured in Germany by Pan Acoustics according to strict criteria and with high-quality materials.

TECHNICAL DATA: SWIVEL BRACKET, 261-AMT

MECHANICAL PROPERTIES

Enclosure:	Steel
Speaker swivel range:	210° (+15°/-195°) / 15-degree increments
Load capacity:	max 13 kg
Standard colours:	RAL 9010 (white), silk matt RAL 9005 (black), silk matt
Dimensions without loudspeaker (H x W x D):	377 x 388.5 x 80 [mm]
Weight:	2.2 kg

TECHNICAL DRAWING





EQUIPMENT / OPTIONS AT GLANCE – ACCESSORIES



Customised painting/colouring within the RAL colour range. Other colour systems such as RAL design, Pantone, etc. are available on request.



Looks good, sounds good. Pan Acoustics' products are defined by natural sound and attractive design.

Some equipment features cannot be combined. For information about which features can be combined with each other, please send an e-mail to vertrieb@pan-acoustics.de.

Our quality promise

Pan Acoustics stands by its products and gives up to **10 years warranty** on its loudspeakers for any material or manufacturing defects. New products manufactured in accordance with protection classes IP54 and IP65 as well as digital audio interfaces (Dante®) from Audinate Pty Ltd and rechargeable batteries are excluded from the 10-year warranty. A warranty period of 3 years is granted for loudspeakers in accordance with protection classes IP54 and IP65.

