

DATASHEET

SMART MOUNT, P XX-CX



The **Smart Mount, P xx-CX** bracket makes it possible to install the Pan Speaker CX loudspeakers conveniently on walls or in wall recesses by hanging.

The mount is made of steel and consists of two parts, a speaker-side part and a wall-side part.

The mounting to the speaker is done by four screw connections. For the mounting of the wall-side part on the wall various fixing points are available

The bracket is available in black (RAL 9005).



EQUIPMENT / OPTIONS



See last page for explanation of the symbols.

APPLICATIONS

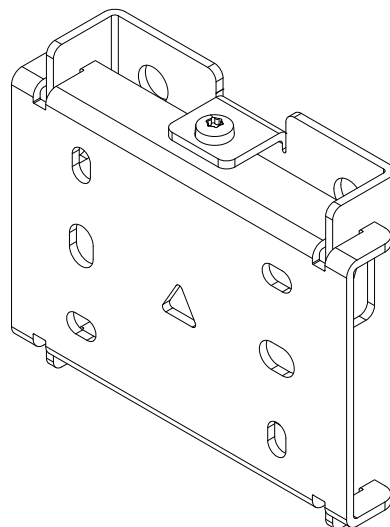
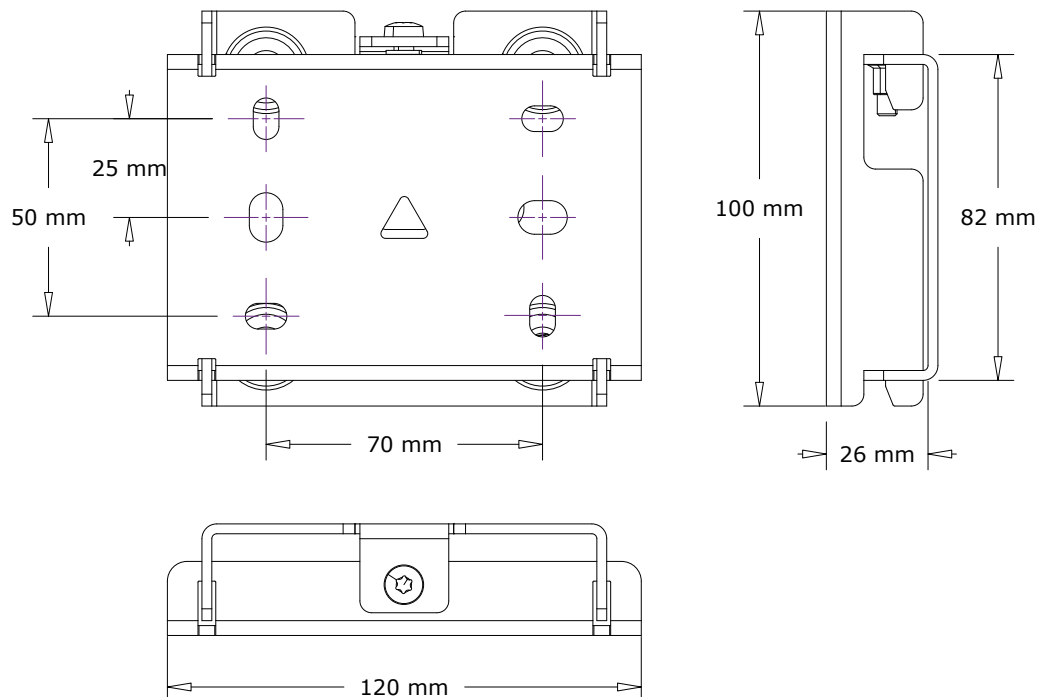
Mounting CX loudspeaker

SMART MOUNT, P XX-CX

MECHANICAL PROPERTIES

Material:	Steel
Standard colours:	Black (RAL 9005)
Supported speakers:	P 8-CX, P 8-CX NL4, P 10-CX, P 10-CX NL4, P 12-CX, P 12-CX NL4
Dimensions (H x W x D):	120 x 100 x 26 [mm]
Weight:	0,6 kg

TECHNICAL DRAWING





EQUIPMENT / OPTIONS AT GLANCE - ACCESSORIES



Customised painting/colouring within the RAL colour range. Other colour ranges such as RAL design, Pantone, etc. are available on request.



Looks good, sounds good. Pan Acoustics' products are defined by natural sound and attractive design.

Some equipment features cannot be combined. For information about which features can be combined with each other, please send an e-mail to sales@pan-acoustics.de.

Our quality promise

Pan Acoustics stands by its products and gives up to **10 years warranty** on its loudspeakers for any material or manufacturing defects. New products manufactured in accordance with protection classes IP54 and IP65 as well as digital audio interfaces (Dante®) from Audinate Pty Ltd and rechargeable batteries are excluded from the 10-year warranty. A warranty period of 3 years is granted for loudspeakers in accordance with protection classes IP54 and IP65.

