

DATASHEET

BACK CAN P 6.5 CM | 100 V
FOR IN-CEILING LOUDSPEAKERS P 6.5-CM | 100 V



The **Back can P 6.5 CM | 100 V** for the in-ceiling loudspeaker Pan Speaker P 6.5-CM | 100 V from the Pan Accessories series is made of sheet steel. Two holes in the bottom are prepared for use as cable in- and outlet.

The **Back can P 6.5 CM | 100 V** is not suitable for use in fire protection ceilings.

EQUIPMENT / OPTIONS



See last page for explanation of the symbols.

APPLICATIONS

Cover

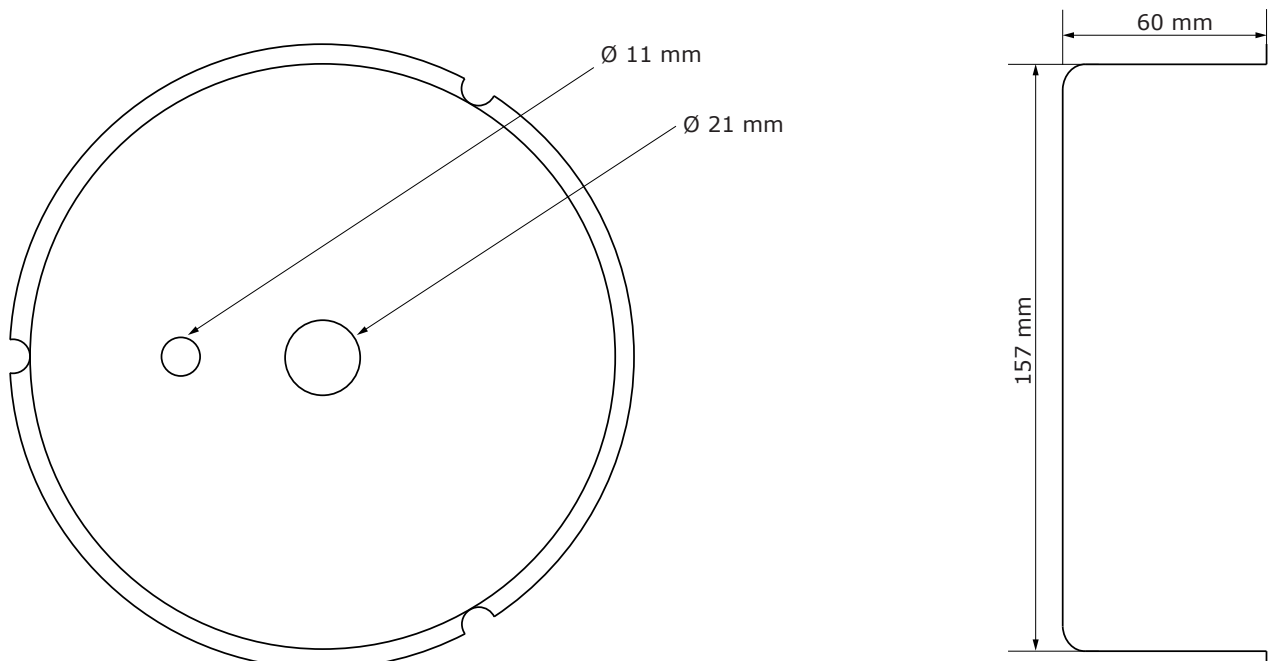
All **Pan Acoustics** loudspeakers and the corresponding accessories are designed, developed and manufactured in Germany by Pan Acoustics according to strict criteria and with high-quality materials.

TECHNICAL DATA: BACK CAN P 6.5 CM | 100 V

MECHANICAL PROPERTIES

Material:	Steel
Standard colour::	RAL 9010
Dimensions without loudspeaker (Ø x H):	157 x 60 [mm]
Weight:	0,3 kg

TECHNICAL DRAWING





EQUIPMENT / OPTIONS AT GLANCE – ACCESSORIES



Customised painting/colouring within the RAL colour range. Other colour ranges such as RAL design, Pantone, etc. are available on request.



Looks good, sounds good. Pan Acoustics' products are defined by natural sound and attractive design.

Some equipment features cannot be combined. For information about which features can be combined with each other, please send an e-mail to sales@pan-acoustics.de.

Our quality promise

Pan Acoustics stands by its products and gives up to **10 years warranty** on its loudspeakers for any material or manufacturing defects. New products manufactured in accordance with protection classes IP54 and IP65 as well as digital audio interfaces (Dante®) from Audinate Pty Ltd and rechargeable batteries are excluded from the 10-year warranty. A warranty period of 3 years is granted for loudspeakers in accordance with protection classes IP54 and IP65.

